

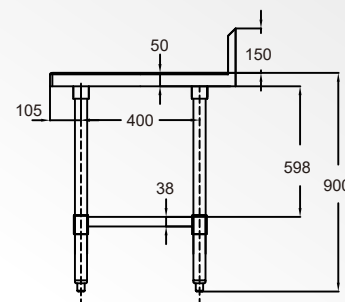
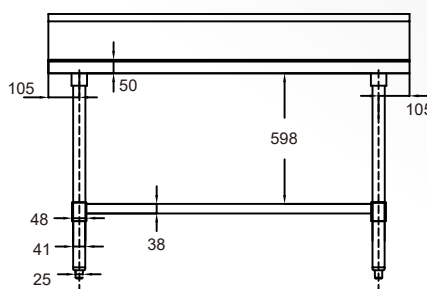
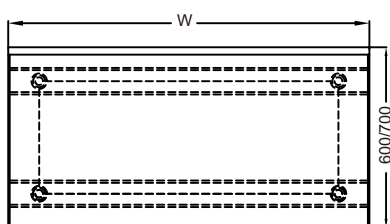
# STAINLESS STEEL BENCHES

## Work Bench with Splashback



### FEATURES

- Work bench with rear splashback, available in 600mm or 700mm depth
- 1.2mm thick stainless steel top
- 41mm diameter round stainless steel tube legs, 1.2mm thick
- Adjustable stainless steel feet fitted as standard
- 1.2mm thick stainless steel under-shelf with top hat stiffening
- 2100mm and 2400mm length units supplied with 6 legs
- Supplied flat packed ready for assembly
- Splashback height 150mm



Model	Dimensions (mm)	Net weight (kg)	Splashback	Packaging Dimensions (mm)	Gross weight (kg)
WTS606B	W600 x D600 x H900	15.6	150mm	W920 x D700 x H100	17
WTS609B	W900 x D600 x H900	17.3	150mm	W920 x D700 x H100	18.8
WTS612B	W1200 x D600 x H900	23.2	150mm	W1220 x D700 x H100	25.2
WTS615B	W1500 x D600 x H900	27.6	150mm	W1520 x D700 x H100	30
WTS618B	W1800 x D600 x H900	33.4	150mm	W1820 x D700 x H100	36.3
WTS621B	W2100 x D600 x H900	39.1	150mm	W2120 x D700 x H100	42.5
WTS624B	W2400 x D600 x H900	44.8	150mm	W2420 x D700 x H100	48.7
WTS706B	W600 x D700 x H900	17.1	150mm	W920 x D800 x H100	18.6
WTS709B	W900 x D700 x H900	18.9	150mm	W920 x D800 x H100	20.5
WTS712B	W1200 x D700 x H900	26.5	150mm	W1220 x D800 x H100	28.8
WTS715B	W1500 x D700 x H900	30.8	150mm	W1520 x D800 x H100	33.5
WTS718B	W1800 x D700 x H900	37.4	150mm	W1820 x D800 x H100	40.7
WTS721B	W2100 x D700 x H900	45.7	150mm	W2120 x D800 x H100	49.7
WTS724B	W2400 x D700 x H900	50.8	150mm	W2420 x D800 x H100	55.2

\* All prices are EX-GST