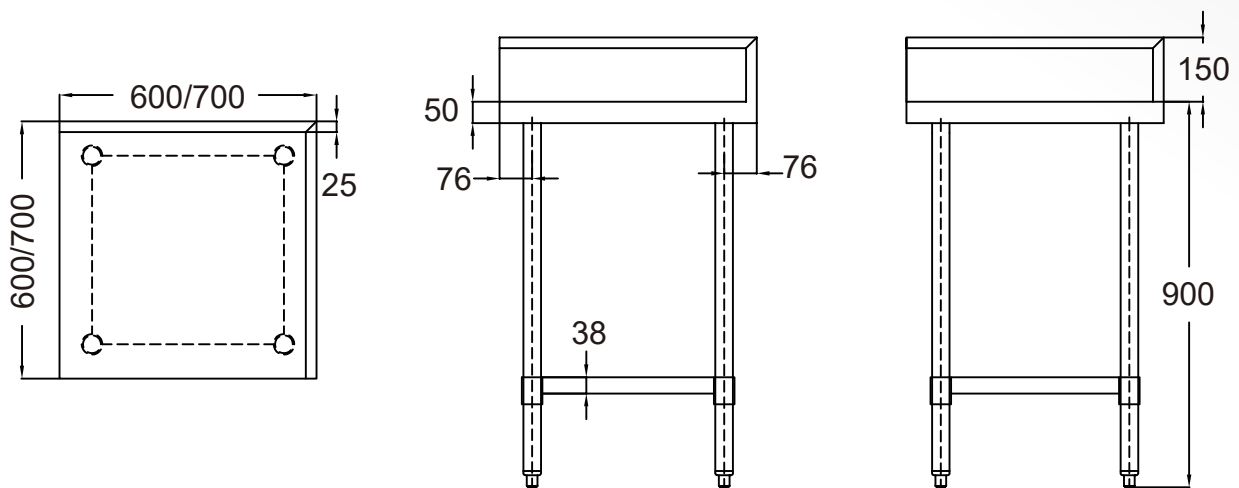


Corner Bench with Splashback



WTCS



Model	Dimensions (mm)	Net weight (kg)	Splashback	Packaging Dimensions (mm)	Gross weight (kg)
WTCS6B	W600 x D600 x H900	20	150mm	W650 x D700 x H170	23
WTCS7B	W700 x D700 x H900	23	150mm	W750 x D800 x H170	26

