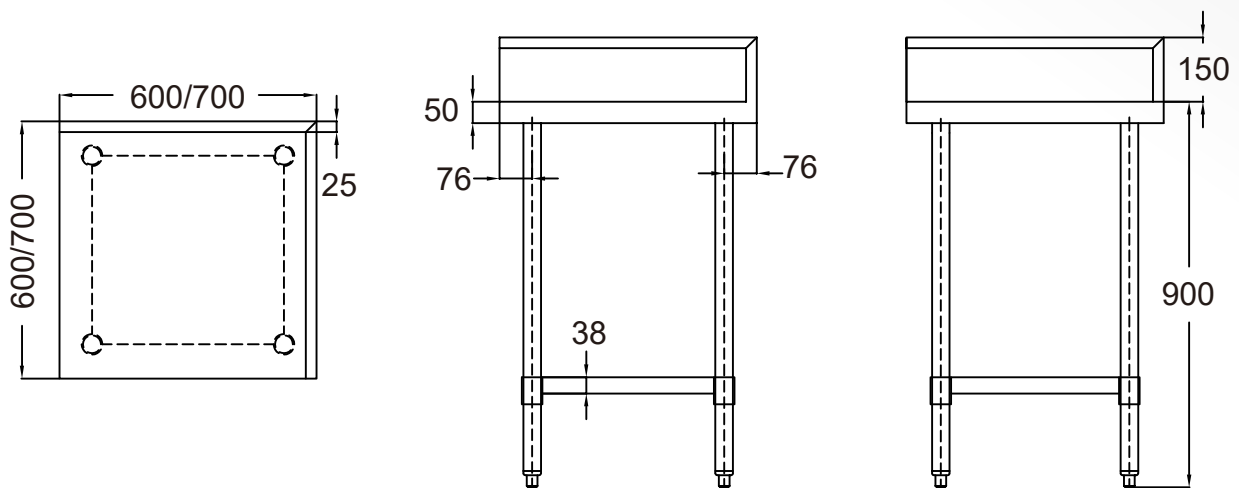


## Corner Bench with Splashback



### WTCS



| Model  | Dimensions (mm)    | Net weight (kg) | Splashback | Packaging Dimensions (mm) | Gross weight (kg) |
|--------|--------------------|-----------------|------------|---------------------------|-------------------|
| WTCS6B | W600 x D600 x H900 | 20              | 150mm      | W650 x D700 x H170        | 23                |
| WTCS7B | W700 x D700 x H900 | 23              | 150mm      | W750 x D800 x H170        | 26                |

