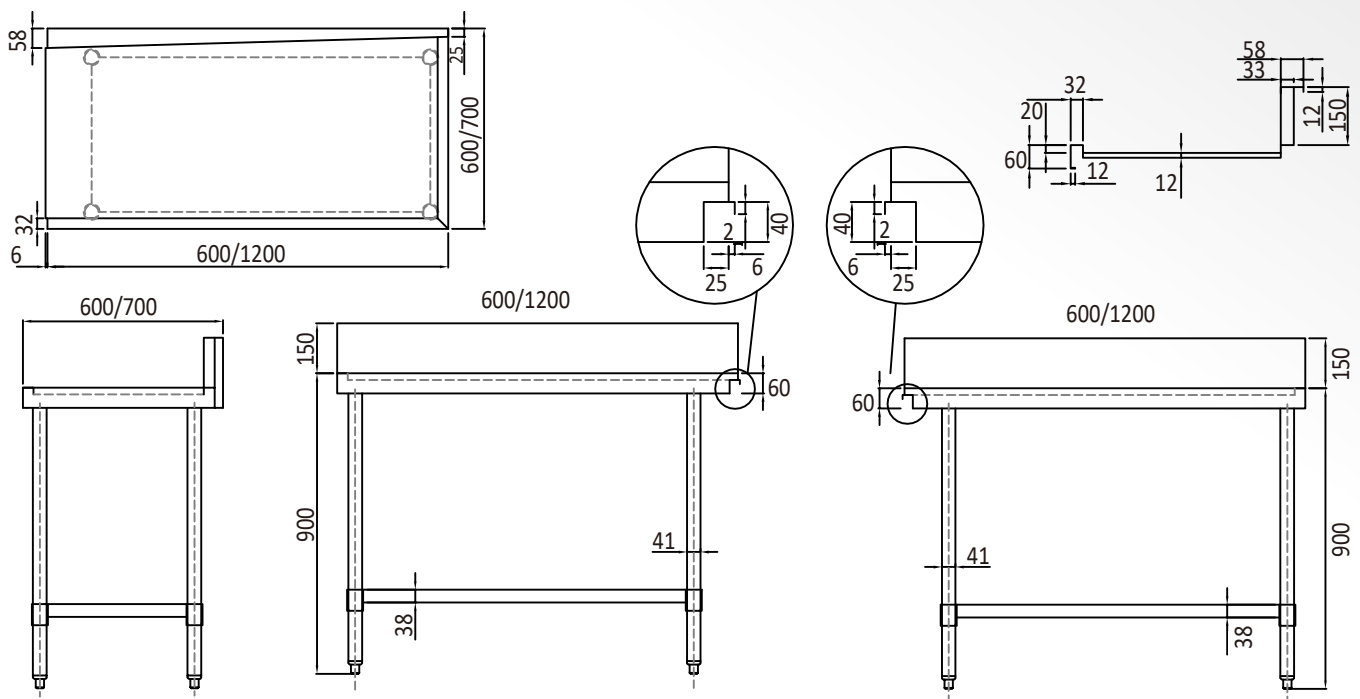


Stainless Steel Dishwasher Bench Outlet



FEATURES

- Suits most leading brands of popular commercial dishwashers
- Bench available in 600mm and 700mm depth
- 304 grade, 1.2mm thick stainless steel top
- 150mm splash back
- Available as left or right handed exit
- Supplied flat packed ready for self-assembly
- Splashback height 150mm



| Model | Dimensions (mm) | Net weight (kg) | Splashback | Packaging Dimensions (mm) | Gross weight (kg) |
|---------|---------------------|-----------------|------------|---------------------------|-------------------|
| WST6060 | W600 x D600 x H900 | 23.2 | 150mm | W1280 x D680 x H280 | 25.2 |
| WAT6120 | W1200 x D600 x H900 | 27.6 | 150mm | W1580 x D680 x H280 | 30 |
| WST7060 | W600 x D700 x H900 | 33.4 | 150mm | W1730 x D780 x H280 | 36.3 |
| WAT7120 | W1200 x D700 x H900 | 26.5 | 150mm | W1280 x D780 x H280 | 28.8 |

