

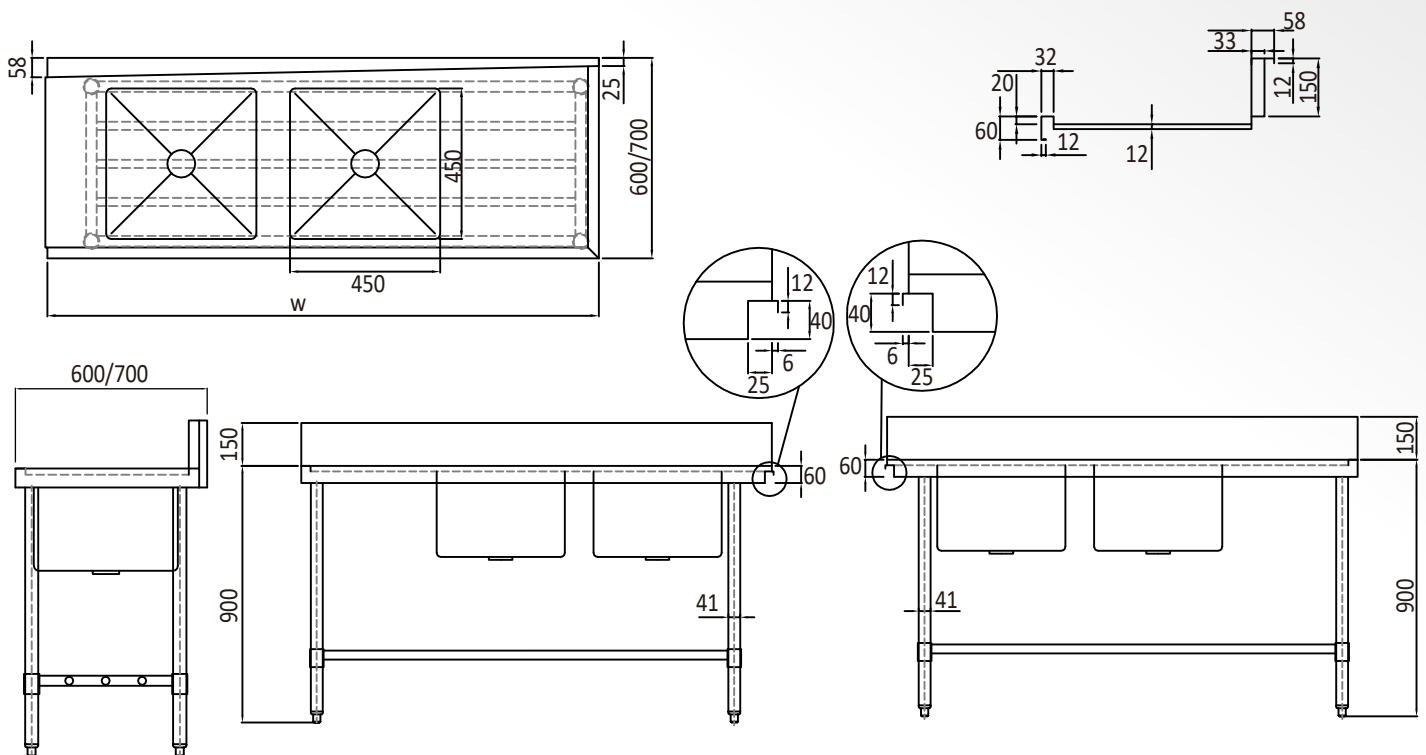
STAINLESS STEEL SINKS

Stainless Steel Dishwasher Double Inlet Sink



FEATURES

- Suits most leading brands of popular commercial dishwashers
- Bench available in 600mm and 700mm depth
- 304 grade, 1.2mm thick stainless steel top
- Wet bench with fabricated sink bowl
- 1.2mm thick stainless steel top
- 41mm diameter round stainless steel tube legs, 1.2mm thick
- Adjustable stainless steel feet fitted as standard
- Splashback height 150mm



Model	Dimensions (mm)	Net weight (kg)	Splashback	Packaging Dimensions (mm)	Gross weight (kg)
WSS26165L/R	W1650 x D600 x H900	31.5	150mm	W1730 x D680 x H490	34.2
WSS27165L/R	W1650 x D700 x H900	32.3	150mm	W1730 x D780 x H490	35.1

