

STAINLESS STEEL SINKS

Double Sink Bench - 600mm / 700mm Depth



FEATURES

- Wet bench with fabricated sink bowl
- 1.2mm thick stainless steel top
- 41mm diameter round stainless steel tube legs, 1.2mm thick
- Adjustable stainless steel feet fitted as standard 2100mm and 2400mm models supplied with six legs as standard
- Bowl size 450mm x 450mm x 300mm available Left, Right or Centre of bench - please specify L, R or C on order
- For the suitability of fitting a dishwasher underneath sink benches supplied with leg braces, contact your dealer representative
- Pre-punched waste hole to suit 90mm waste
- Supplied flat packed ready for assembly
- Splashback height 150mm

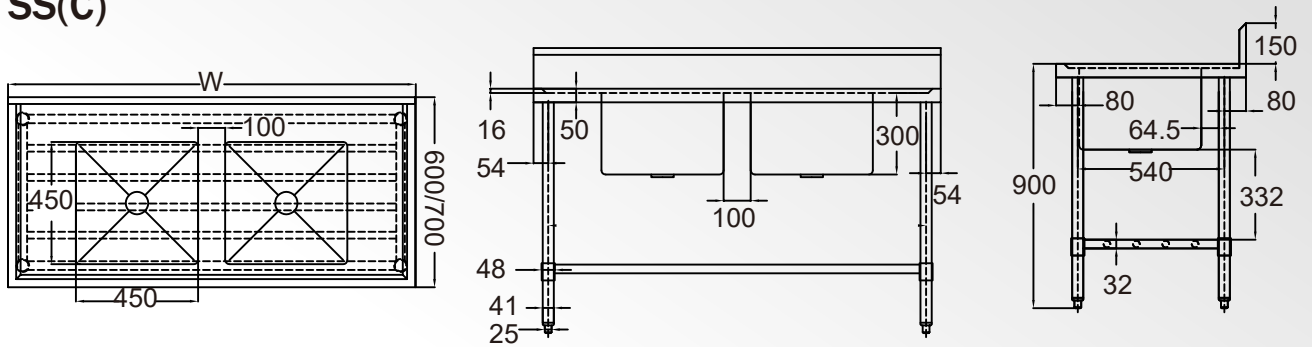
Model	Dimensions (mm)	Net weight (kg)	Splashback	Packaging Dimensions (mm)	Gross weight (kg)
SS2612	W1200 x D600 x H900	29	150mm	W1240 x D640 x H480	31.5
SS2615	W1500 x D600 x H900	31.5	150mm	W1540 x D640 x H480	34.2
SS2618 L/R/C	W1800 x D600 x H900	38.3	150mm	W1840 x D640 x H480	41.6
SS2621 L/R/C	W2100 x D600 x H900	46	150mm	W2140 x D640 x H480	50
SS2624 L/R/C	W2400 x D600 x H900	49.7	150mm	W2440 x D640 x H480	54
SS2712	W1200 x D700 x H900	29.9	150mm	W1240 x D740 x H480	32.5
SS2715	W1500 x D700 x H900	32.3	150mm	W1540 x D740 x H480	35.1
SS2718 L/R/C	W1800 x D700 x H900	40.9	150mm	W1840 x D740 x H480	44.5
SS2721 L/R/C	W2100 x D700 x H900	49.7	150mm	W2140 x D740 x H480	54
SS2724 L/R/C	W2400 x D700 x H900	53.4	150mm	W2440 x D740 x H480	58

* All prices are EX-GST

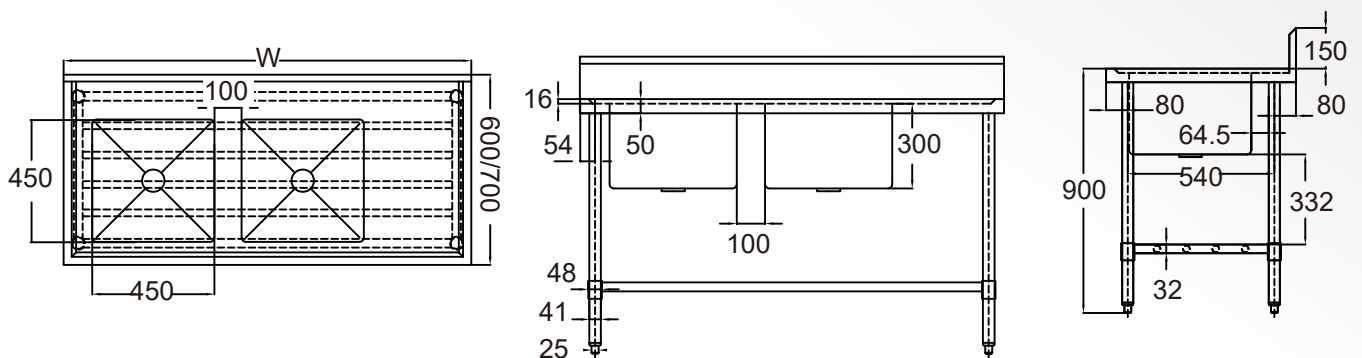
STAINLESS STEEL SINKS

Double Sink Bench - 600mm / 700mm Depth

SS(C)



SS(L)



SS(R)

