

# STAINLESS STEEL SINKS

## Sink Bench with Splashback - 700mm Depth



### FEATURES

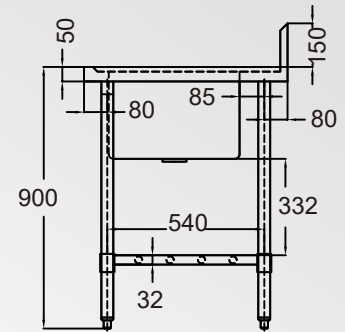
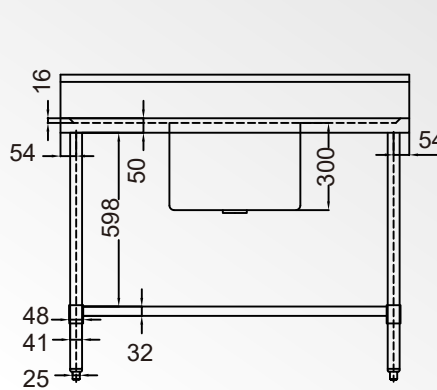
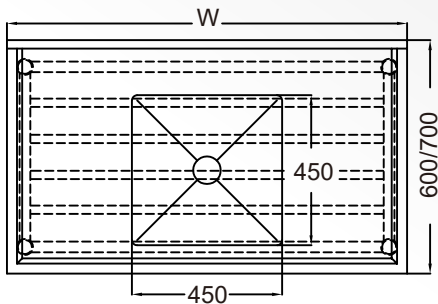
- Wet bench with fabricated sink bowl
- 1.2mm thick stainless steel top
- 41mm diameter round stainless steel tube legs, 1.2mm thick
- Adjustable stainless steel feet fitted as standard 2100mm and 2400mm models supplied with six legs as standard
- Bowl size 450mm x 450mm x 300mm available Left, Right or Centre of bench - please specify L, R or C on order
- For the suitability of fitting a dishwasher underneath sink benches supplied with leg braces, contact your dealer representative
- Pre-punched waste hole to suit 90mm waste
- Supplied flat packed ready for assembly
- Splashback height 150mm

Model	Dimensions (mm)	Net weight (kg)	Splashback	Packaging Dimensions (mm)	Gross weight (kg)
SS1606	W600 x D600 x H900	18.9	150mm	W640 x D640 x H480	20.5
SS1609C	W900 x D600 x H900	21.8	150mm	W940 x D640 x H480	23.7
SS1612C/L/R	W1200 x D600 x H900	25	150mm	W1240 x D640 x H480	27.2
SS1615C/L/R	W1500 x D600 x H900	27.8	150mm	W1540 x D640 x H480	30.2
SS1618C/L/R	W1800 x D600 x H900	34.6	150mm	W1840 x D640 x H480	37.6
SS1621C/L/R	W2100 x D600 x H900	41.4	150mm	W2140 x D640 x H480	45
SS1624C/L/R	W2400 x D600 x H900	45	150mm	W2440 x D640 x H480	48.9
SS1706	W600 x D700 x H900	19.8	150mm	W 640 x D740 x H 480	21.5
SS1709C	W900 x D700 x H900	22.7	150mm	W 940 x D740 x H 480	24.7
SS1712C/L/R	W1200 x D700 x H900	25.9	150mm	W 1240 x D740 x H 480	28.2
SS1715C/L/R	W1500 x D700 x H900	28.7	150mm	W 1540 x D740 x H 480	31.2
SS1718C/L/R	W1800 x D700 x H900	35.5	150mm	W 1840 x D740 x H 480	38.6
SS1721C/L/R	W2100 x D700 x H900	42.3	150mm	W 2140 x D740 x H 480	46
SS1724C/L/R	W2400 x D700 x H900	45.9	150mm	W 2440 x D740 x H 480	49.9

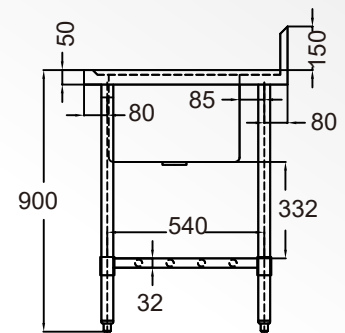
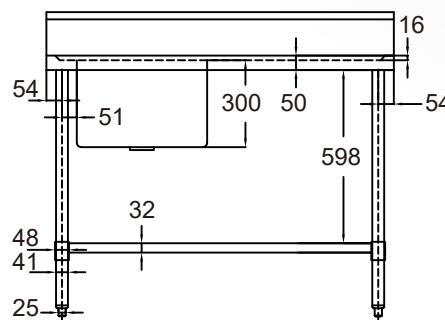
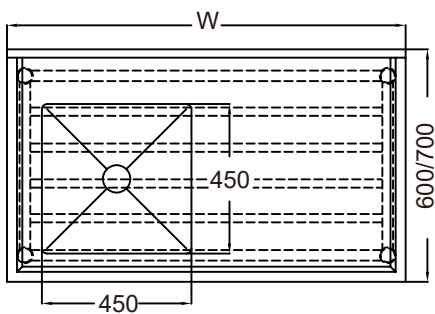
\* All prices are EX-GST

## Sink Bench with Splashback - 700mm Depth

### SS(C)



### SS(L)



### SS(R)

