

800 SERIES (BENCHTOP)

HOTPLATES



**300mm Hotplate
AT80G3G-C**



**600mm Hotplate
AT80G6G-C**



**900mm Hotplate
AT80G9G-C**



**1200mm Hotplate
AT80G12G-C**



2 YEARS WARRANTY ON ALL PARTS AND LABOUR
EXTRA 2 YEARS WARRANTY ON PARTS
WHEN YOU REGISTER WITH US ONLINE

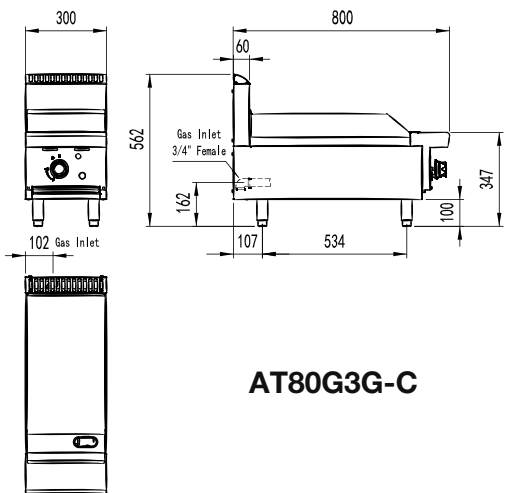
* All prices are EX-GST



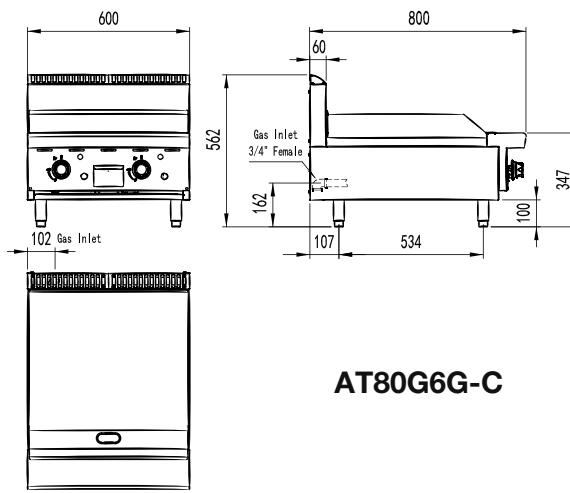
AUSTRALIA AND NEW ZEALAND
GAS SAFETY CERTIFICATION
SAI-400248 AS 4563:2004 SAI Global

800 SERIES (BENCHTOP)

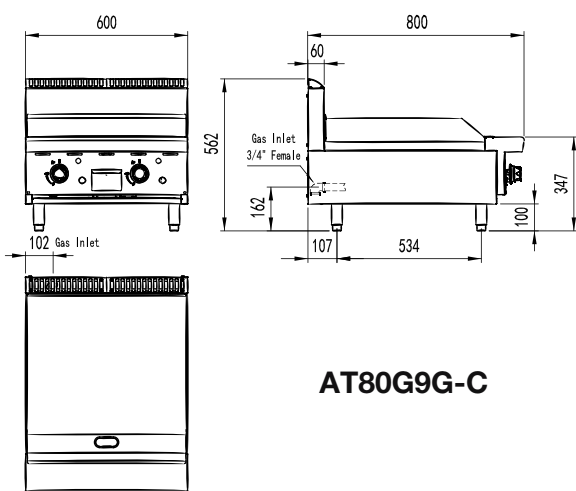
HOTPLATES



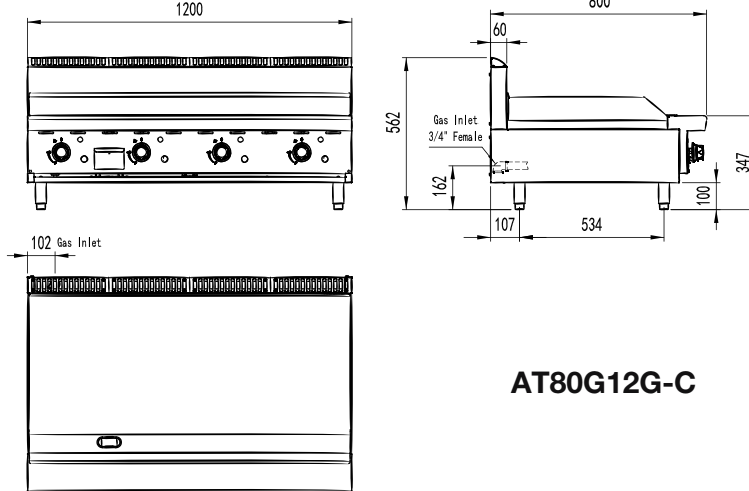
AT80G3G-C



AT80G6G-C



AT80G9G-C



AT80G12G-C

AT80G3G-C-NG/LPG

AT80G6G-C-NG/LPG

Gas Type	NG/LPG	NG/LPG
Gas Output per Burner Mj/h	25	25
Total Power Output Mj/h	25	50
Dimensions(mm)	W300 x D800 x H562, 46kg	W600 x D800 x H562, 77kg
Packaging Dimensions(mm)	W395 x D875 x H640, 62.3kg	W695 x D875 x H640, 102kg

AT80G9G-C-NG/LPG

AT80G12G-C-NG/LPG

Gas Type	NG/LPG	NG/LPG
Gas Output per Burner Mj/h	25	25
Total Power Output Mj/h	75	100
Dimensions(mm)	W900 x D800 x H562, 110kg	W1200 x D800 x H562, 143kg
Packaging Dimensions(mm)	W995 x D875 x H640, 139kg	W1295 x D875 x H640, 182kg

When placing your order, please indicate the gas type (NG or LPG) by adding it to the end of the product code e.g. "-NG"

* All prices are EX-GST