

## 800 SERIES (BENCHTOP)

### OPEN BURNER COOK TOPS



**2 Burner Cook Top  
AT80G2B-C**



**4 Burner Cook Top  
AT80G4B-C**



**6 Burner Cook Top  
AT80G6B-C**



**8 Burner Cook Top  
AT80G8B-C**



**Optional drop  
on hotplate**



**GRID30**

289mm x 136mm x 722mm



2 YEARS WARRANTY ON ALL PARTS AND LABOUR  
EXTRA 2 YEARS WARRANTY ON PARTS  
WHEN YOU REGISTER WITH US ONLINE

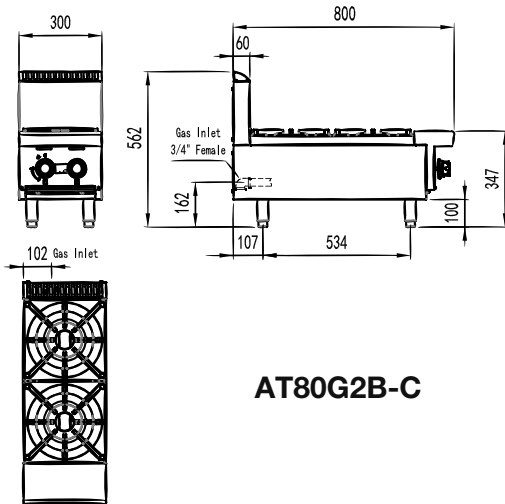
\* All prices are EX-GST



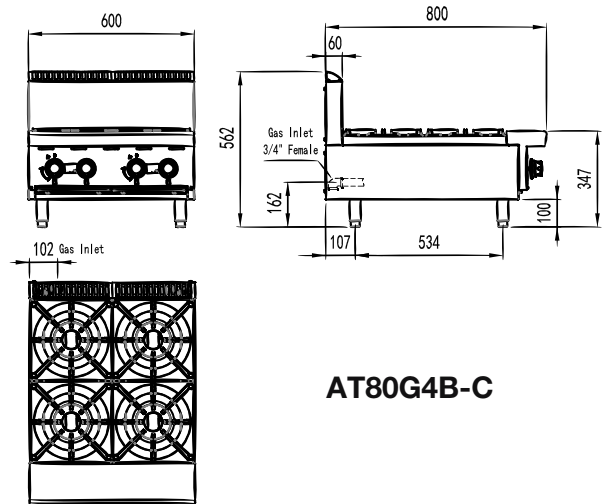
AUSTRALIA AND NEW ZEALAND  
GAS SAFETY CERTIFICATION  
SAI-400248 AS 4563:2004 SAI Global

# 800 SERIES (BENCHTOP)

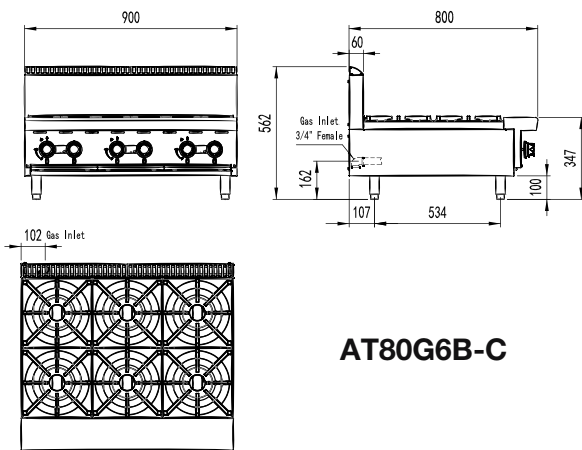
## OPEN BURNER COOK TOPS



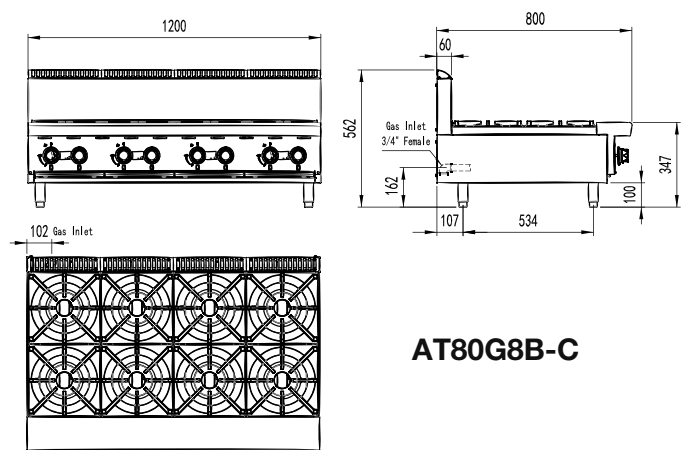
**AT80G2B-C**



**AT80G4B-C**



**AT80G6B-C**



**AT80G8B-C**

**AT80G2B-C-NG/LPG**

**AT80G4B-C-NG/LPG**

Gas Type	NG/LPG	NG/LPG
Gas Output per Burner Mj/h	28	28
Total Power Output Mj/h	56	112
Dimensions(mm)	W300 x D800 x H562, 39kg	W600 x D800 x H562, 69kg
Packaging Dimensions(mm)	W395 x D875 x H515, 55.3kg	W695 x D875 x H515, 93.2kg

**AT80G6B-C-NG/LPG**

**AT80G8B-C-NG/LPG**

Gas Type	NG/LPG	NG/LPG
Gas Output per Burner Mj/h	28	28
Total Power Output Mj/h	168	224
Dimensions(mm)	W900 x D800 x H562, 98.3kg	W1200 x D800 x H562, 127kg
Packaging Dimensions(mm)	W995 x D875 x H515, 125kg	W1295 x D875 x H515, 165kg

When placing your order, please indicate the gas type (NG or LPG) by adding it to the end of the product code e.g. "-NG"

\* All prices are EX-GST