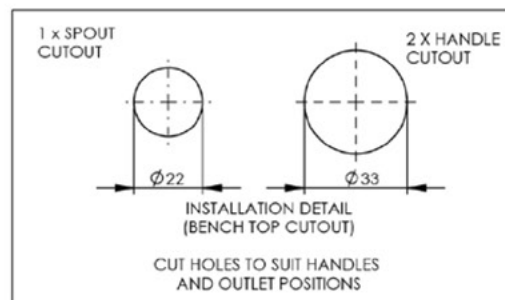
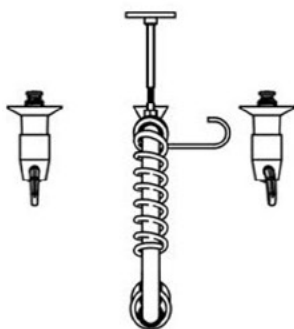
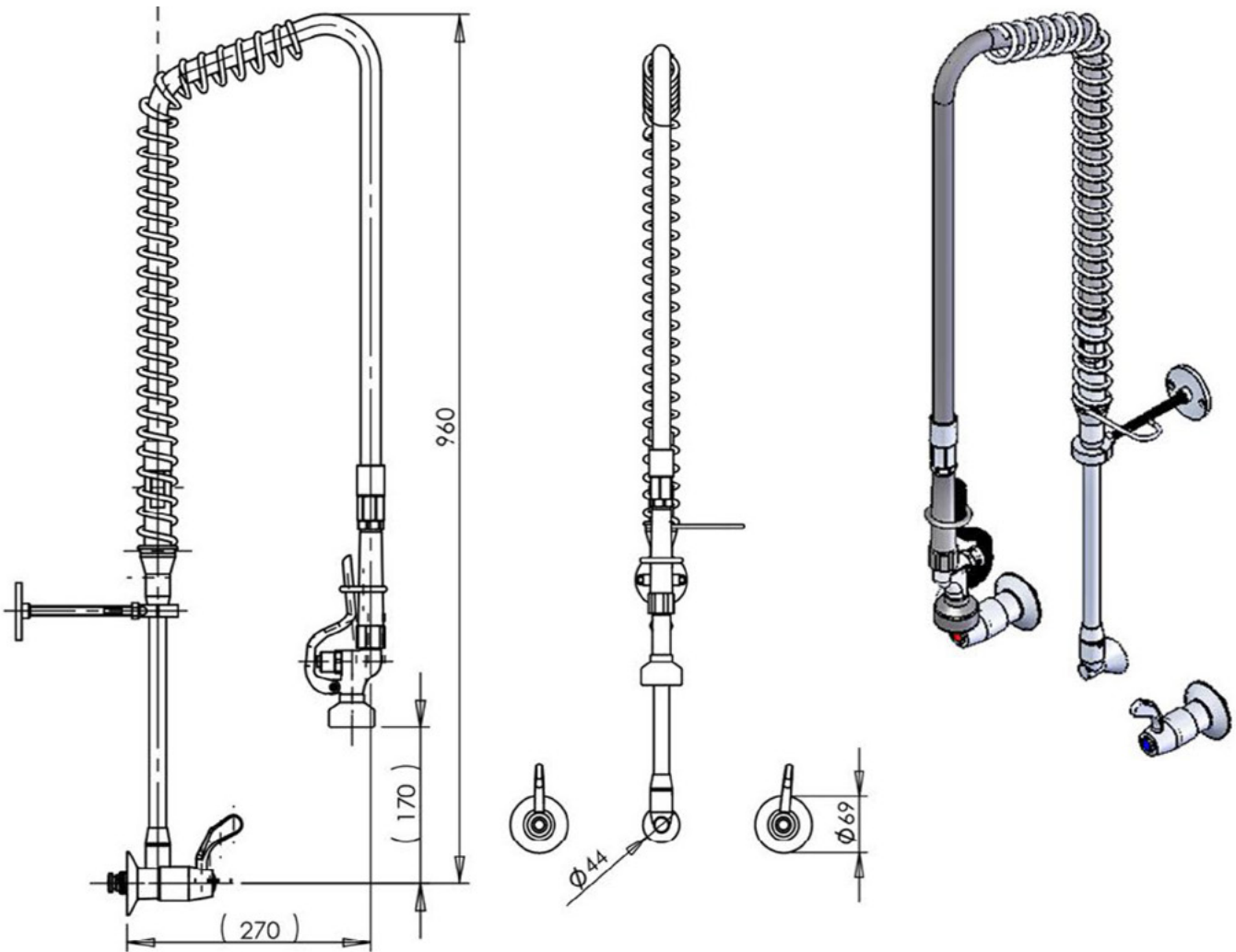


# YWS021 Wall Mount Pre Rinse

Pre Rinse Assembly, including Lever operated cartridge taps, wall bracket, gun hook, Highest Quality High Pressure Hose with Spring Support, Wels 6 Star Rated, 4 Litres/minute Spray Gun Model Y729.

Min. operating pressure 50kPa. Maximum 800kPa. Three hole mount.



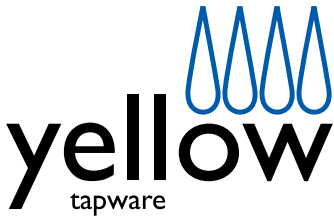
**FSM** (FOOD SERVICE MACHINERY PTY. LTD.)

**HEAD OFFICE:**  
21-23 Agosta Drive, Laverton North,  
Vic. 3026 Australia  
T: +61 3 9368 2300 F: +61 3 9369 3800  
E: sales@fsm-pl.com.au W: www.fsm-pl.com.au

**SYDNEY OFFICE:**  
Unit 15, 7-9 Progress Circuit,  
Prestons, NSW 2170  
T: +61 2 9608 8620 F: +61 2 9607 9370  
E: sales@fsm-pl.com.au W: www.fsm-pl.com.au

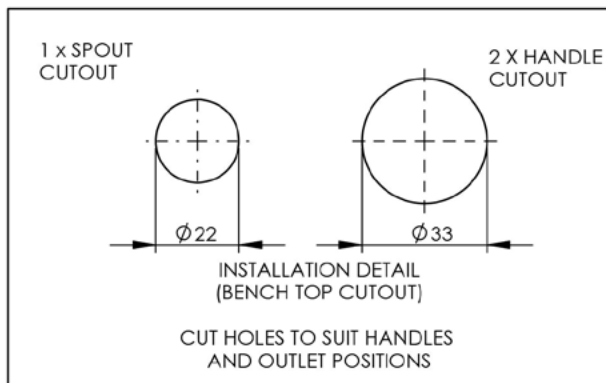
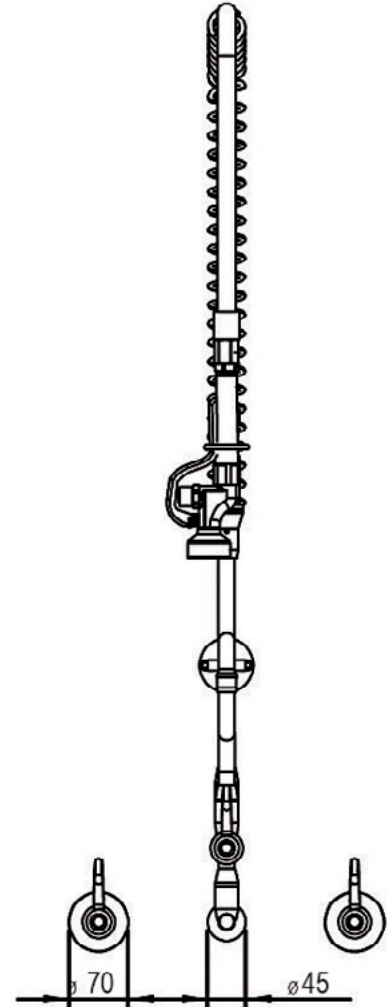
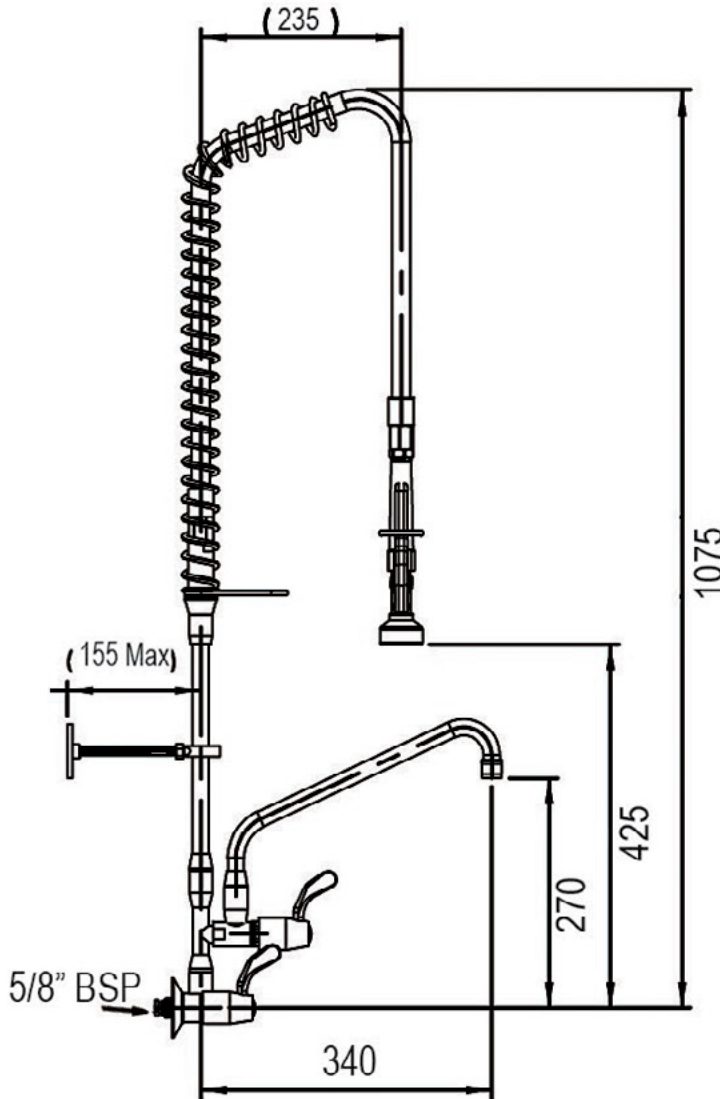
**QUEENSLAND OFFICE:**  
4/40 Rivergate Place,  
Murarrie, QLD 4172  
T: +61 7 3390 4185 F: +61 7 3393 9508  
E: sales@fsm-pl.com.au W: www.fsm-pl.com.au

**PERTH:**  
T: 0413 893 311  
E: sales@fsm-pl.com.au  
W: www.fsm-pl.com.au



# YWS021 Wall Mount Pre Rinse with Y063-Y182 Swing Faucet

Pre Rinse Assembly, including Lever operated cartridge taps, wall bracket, gun hook, High Pressure Hose with Spring Support, Wels 6 Star Rated, 4 Litres/min. Spray Gun Model Y729, 300mm Swing Faucet  
Wels 3 Star Rated, 8 Litres/min. Min. operating pressure 50kPa. Maximum 800kPa. Three hole mount.



**FSM** (FOOD SERVICE MACHINERY PTY. LTD.)

**HEAD OFFICE:**  
21-23 Agosta Drive, Laverton North,  
Vic. 3026 Australia  
T: +61 3 9368 2300 F: +61 3 9369 3800  
E: sales@fsm-pl.com.au W: www.fsm-pl.com.au

**SYDNEY OFFICE:**  
Unit 15, 7-9 Progress Circuit,  
Prestons, NSW 2170  
T: +61 2 9608 8620 F: +61 2 9607 9370  
E: sales@fsm-pl.com.au W: www.fsm-pl.com.au

**QUEENSLAND OFFICE:**  
4/40 Rivergate Place,  
Murarrie, QLD 4172  
T: +61 7 3390 4185 F: +61 7 3393 9508  
E: sales@fsm-pl.com.au W: www.fsm-pl.com.au

**PERTH:**  
T: 0413 893 311  
E: sales@fsm-pl.com.au  
W: www.fsm-pl.com.au