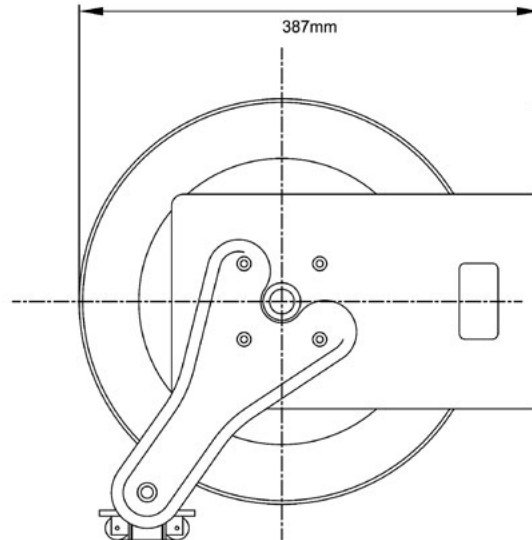
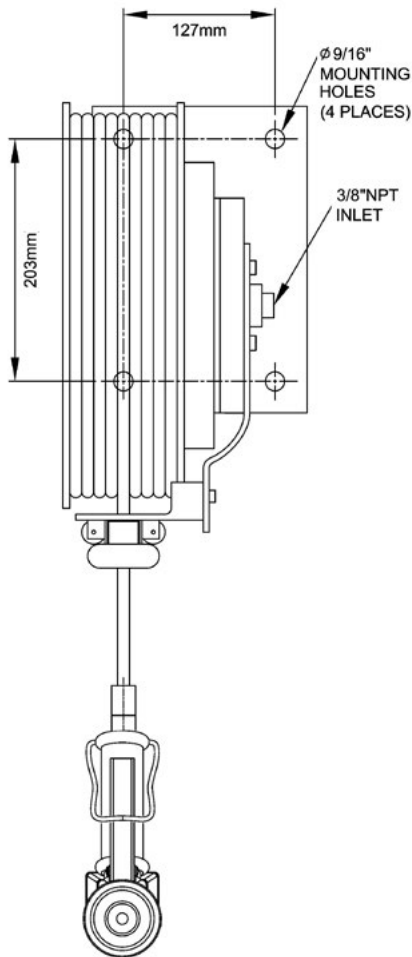
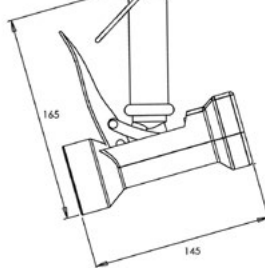


# KHR1035-O-Y722 HEAVY DUTY HOSE REEL WHITE POWDER COATED

Heavy Duty Powder Coated Open Hose Reel Assembly, including 11m Hose and Y722 Spray Gun, Wall or Ceiling mount. Hose rated up to 99°C. Heavy gauge springs & latches for positive length adjustment.



KHR-1035-O-Y722  
HOSE REEL OPEN  
POWDER COAT W/ 11M HOSE



Shipping Weight 15 Kgs approx.  
 Recommended Maximum Hose operating Temperature 82°C, (rated to maximum 99°C)  
 Maximum Hose Operating Pressure 500kPa.  
 3/8" - 18NPT inlet.  
 Universal Ceiling, Floor or Wall mount  
 Positive latch for stationary hose operation  
 Heavy Duty springs for hose recoil  
 Recoil bumper included  
 Yellow Y722 Rinse with insulated handle and heavy duty face bumper  
 Stainless Steel hose guard  
 Full 13 Month on-site parts & labour warranty  
**NOTE: HOSE REELS ARE NOT WELS RATED**

**FSM** (FOOD SERVICE MACHINERY PTY. LTD.)

**HEAD OFFICE:**  
 21-23 Agosta Drive, Laverton North,  
 Vic. 3026 Australia  
 T: +61 3 9368 2300 F: +61 3 9369 3800  
 E: sales@fsm-pl.com.au W: www.fsm-pl.com.au

**SYDNEY OFFICE:**  
 Unit 15, 7-9 Progress Circuit,  
 Prestons, NSW 2170  
 T: +61 2 9608 8620 F: +61 2 9607 9370  
 E: sales@fsm-pl.com.au W: www.fsm-pl.com.au

**QUEENSLAND OFFICE:**  
 4/40 Rivergate Place,  
 Murarrie, QLD 4172  
 T: +61 7 3390 4185 F: +61 7 3393 9508  
 E: sales@fsm-pl.com.au W: www.fsm-pl.com.au

**PERTH:**  
 T: 0413 893 311  
 E: sales@fsm-pl.com.au  
 W: www.fsm-pl.com.au