

DURABLE AND EFFICIENT BLENDING

The Drink Machine Two Speed is the reliable blender when powerful, functional, blending is needed. With manually controlled two-speed capability, the Drink Machine Two Speed will flawlessly create delicious frozen coffee drinks, fruit smoothies, granitas, shakes and more.

Smart Product Design

- Blades create enough torque to crush 1.4 litres of cubed ice in seconds
- Powerful, thermally-protected motor handles dense ingredients without overheating
- Clear, durable 1.4 litre container pulls ingredients into the blades for efficiency and better speed of service
- Patented, high-impact container is clear for seeing ingredients during operation

STANDARD FEATURES

- Ice Blade
- 1.4 litre high impact clear container
- Basic Start/stop function
- 2 speed settings (low-high)

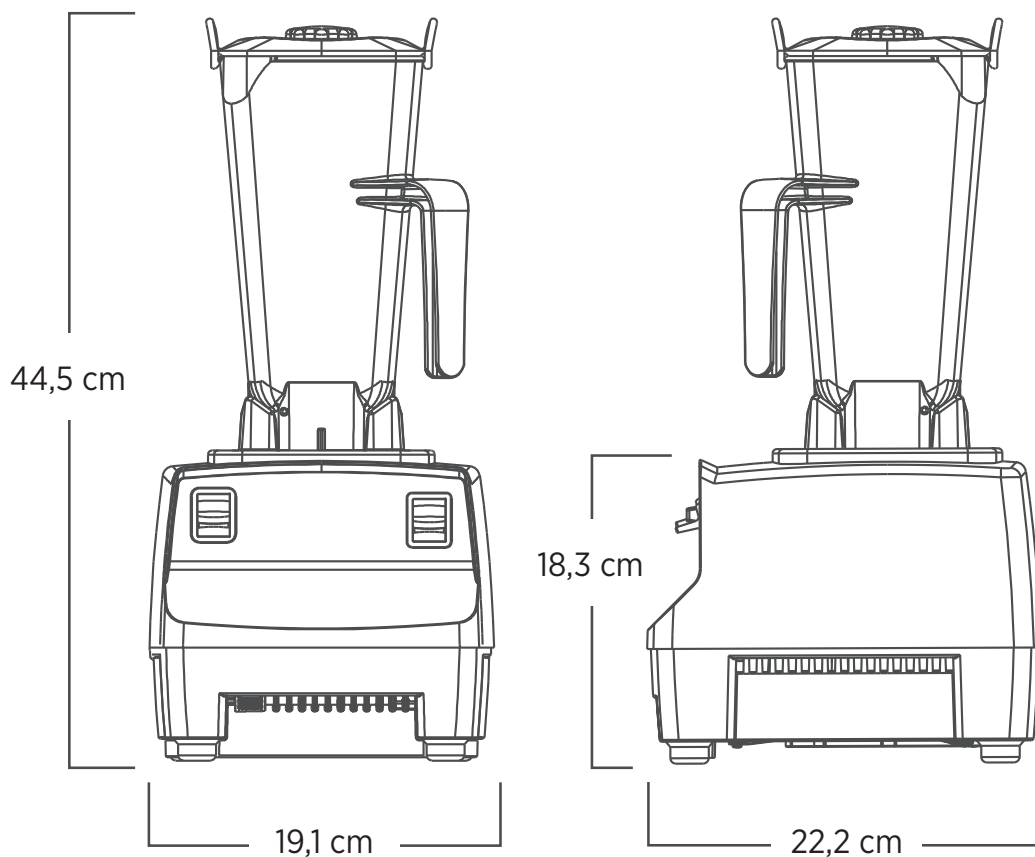


Three year parts and one year labour warranty on motor and base. One year warranty on the container, lid, blade assembly, drive socket and sound enclosure against defects in material and workmanship.



PACK INCLUDES:

Drink Machine Two Speed with 1.4 litre high-impact, clear container, complete with blade assembly and lid, and grey base.



DIMENSIONS

191W x 222D x 508H mm

TECHNICAL DATA

Power Supply: 240V, 50Hz, 10A

Power Output: 750W-850W

Motor: ≈ 2.3HP

Weight: 5.73kg

SPECIFICATIONS ARE SUBJECT TO CHANGE WITHOUT NOTICE.