



Specifications:

Model	ST0605E
W x D x H (mm)	605 x 836 x 580
Cooking Area W x D (mm)	530 x 552
Weight	130kg
Packed Dimensions (mm)	700 x 900 x 700
Packed Weight (mm)	155kg
Electrical Connection	3Ø + N + E 415VAC / 50/60Hz / 6.7kW

Legend:

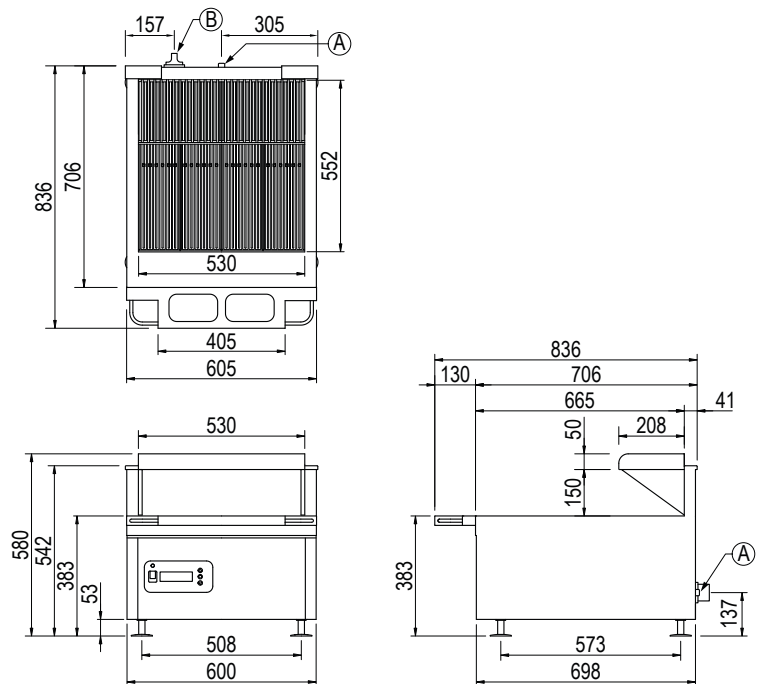
- A Electrical Connection
- B Isolation Switch



Product Information:

- Concealed heating elements for increased durability and longevity
- Vortex air technology combined with a 20mm composite heating plate delivers exceptional heat distribution
- No fat or grease trays – all waste is atomized while cooking
- Robust 304 grade stainless steel construction
- SMART Digital controller with 10 power settings, one cooking zone with independent temperature regulation up to 480°C
- Slow Cook shelf and Garnish Rail supplied standard
- Griddle plate, divider plate, resting shelf, rotisserie and stand sold separately
- **24-months parts and labour warranty**
- Optional factory fitted plug available (W.CVS.PL32)

General Drawing:



Due to continuous product research and development, the information contained herein is subject to change without notice.

Revision: A - 01/12/2022 - 01

