

Superior cooking results FAST!:

- Enhanced cavity airflow for perfect browning & crisping
- 3000W impingement enhances toasting and browning.
- Easily adjustable 0-100% fan speed.
- 95° - 270°C temperature range cooks a variety of items
- 1000 or 2000W top antenna feed microwave system heats quickly, reduces cooking time.

Minimized footprint, maximized cavity design:

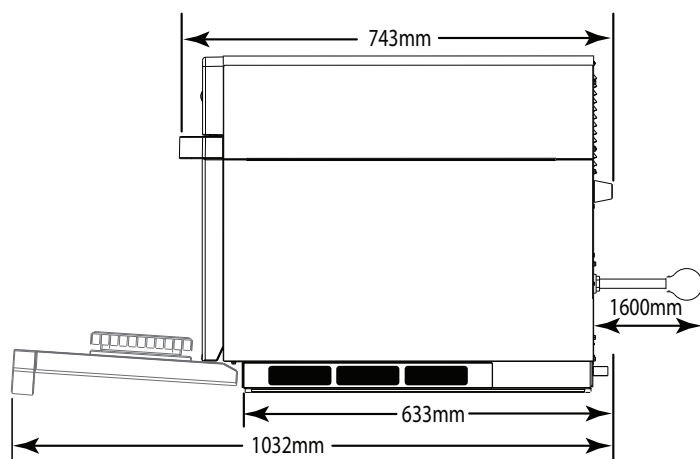
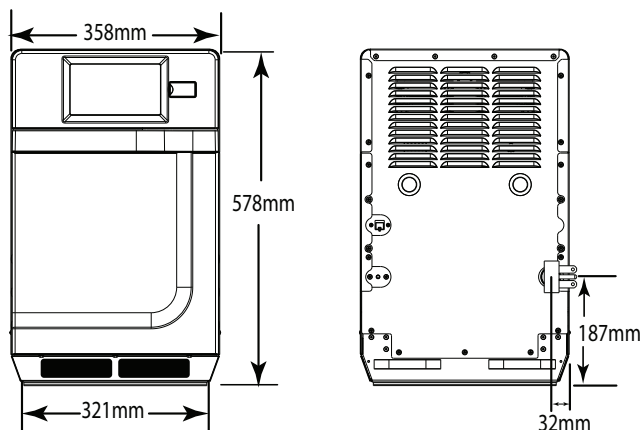
- Compact footprint fits on 71cm (28") deep counter.
- Flexibility to install with or without 10cm (4") leg kit
- Easily accommodates a 30cm (12") pizza

STANDARD FEATURES

- Cook plate (CP10)
- Oven paddle (PA10)
- Non-stick liners (TL10R)

OPTIONAL FEATURES

- Panini grill plate (RGR10)
- 102mm Leg kit (LG10)
- Compact oven paddle (PA10R)
- Non-stick baskets (TB10, SB10, TB10S, SB10S)
- Back Cover Panel (BC10R)
- Stainless dual-oven stacking cart (SC10R)
- Stainless cart/equipment stands: (CA24, CA30)



DIMENSIONS

External dimensions: 358W x 743D x 578H mm

Internal cavity: 312W x 312D x 178H mm

POWER SUPPLY

240V 50Hz 15A single phase, plugged

TECHNICAL DATA

Power output: 3400W Total
3000W Impingement,
1000W Microwave

Internal cavity volume: 17.2 litres

External cabinet finish: Stainless steel & Painted Steel

Internal cavity finish: Stainless steel & Teflon liner (replaceable)

Memory programs: 1200+

Power levels: 11

Product weight: 53kg

Shipping weight: 61kg

Magnetrons: 1

Clearance: 51mm top & 13mm sides

SPECIFICATIONS ARE SUBJECT TO CHANGE WITHOUT NOTICE.



National Head Office
156 Swann Drive
Derrimut VIC 3026
Tel: +61 3 8369 4600
Fax: +61 3 8369 4699

www.comcater.com.au

Melbourne
96-100 Tope Street
South Melbourne VIC 3205
Tel: +61 3 8699 1200
Fax: +61 3 8699 1299

Sydney
20/4 Avenue of the Americas
Newington, NSW 2127
Tel: +61 2 8775 9500
Fax: +61 2 9648 4762

Brisbane
1/62 Borthwick Avenue
Murarrie QLD 4172
Tel: +61 7 3900 2700
Fax: +61 7 3399 5311

Perth
Unit 16, 7 Abrams Street
Balcatta, WA 6021
Tel: +61 8 6217 0700
Fax: +61 8 6217 0799