

### Superior cooking results FAST!:

- Enhanced cavity airflow for perfect browning & crisping
- 3000W impingement enhances toasting and browning.
- Easily adjustable 0-100% fan speed.
- 95° - 270°C temperature range cooks a variety of items
- 1000 or 2000W top antenna feed microwave system heats quickly, reduces cooking time.

### Minimized footprint, maximized cavity design:

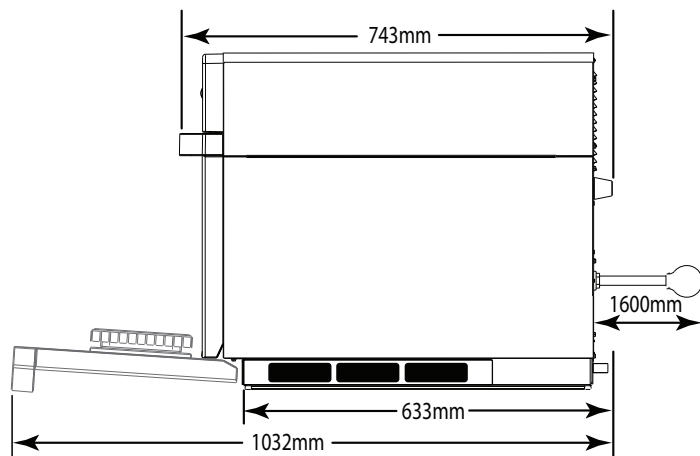
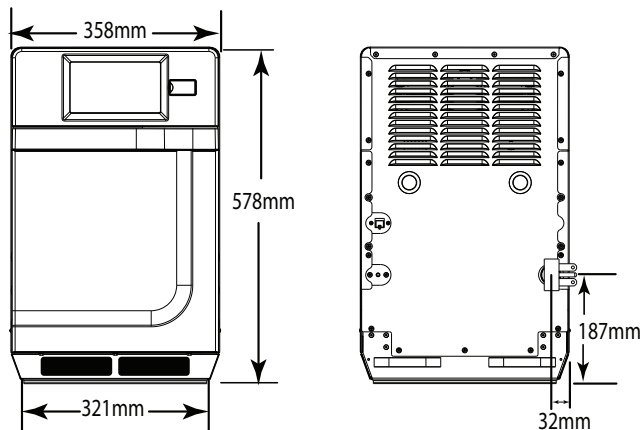
- Compact footprint fits on 71cm (28") deep counter.
- Flexibility to install with or without 10cm (4") leg kit
- Easily accommodates a 30cm (12") pizza

### STANDARD FEATURES

- Cook plate (CP10)
- Oven paddle (PA10)
- Non-stick liners (TL10R)

### OPTIONAL FEATURES

- Panini grill plate (RGR10)
- 102mm Leg kit (LG10)
- Compact oven paddle (PA10R)
- Non-stick baskets (TB10, SB10, TB10S, SB10S)
- Back Cover Panel (BC10R)
- Stainless dual-oven stacking cart (SC10R)
- Stainless cart/equipment stands: (CA24, CA30)



### DIMENSIONS

External dimensions: 358W x 743D x 578H mm

Internal cavity: 312W x 312D x 178H mm

### POWER SUPPLY

240V 50Hz 15A single phase, plugged

### TECHNICAL DATA

Power output: 3400W Total  
3000W Impingement,  
1000W Microwave

Internal cavity volume: 17.2 litres

External cabinet finish: Stainless steel & Painted Steel

Internal cavity finish: Stainless steel & Teflon liner (replaceable)

Memory programs: 1200+

Power levels: 11

Product weight: 53kg

Shipping weight: 61kg

Magnetrons: 1

Clearance: 51mm top & 13mm sides

SPECIFICATIONS ARE SUBJECT TO CHANGE WITHOUT NOTICE.



**National Head Office**  
156 Swann Drive  
Derrimut VIC 3026  
Tel: +61 3 8369 4600  
Fax: +61 3 8369 4699  
[www.comcater.com.au](http://www.comcater.com.au)

**Melbourne**  
96-100 Tope Street  
South Melbourne VIC 3205  
Tel: +61 3 8699 1200  
Fax: +61 3 8699 1299

**Sydney**  
20/4 Avenue of the Americas  
Newington, NSW 2127  
Tel: +61 2 8775 9500  
Fax: +61 2 9648 4762

**Brisbane**  
1/62 Borthwick Avenue  
Murarrie QLD 4172  
Tel: +61 7 3900 2700  
Fax: +61 7 3399 5311

**Perth**  
Unit 16, 7 Abrams Street  
Balcatta, WA 6021  
Tel: +61 8 6217 0700  
Fax: +61 8 6217 0799