



Parilla Grill | SPAS.PGA.EL9.1200

Product Information:

- Asado, high performance live fuel parilla grill
- Grill rack with Electronic height adjustment and cantilevered frame for easy fire pit access
- Supplied standard with removable cooking grids, providing defined char markings
- Removable top mounted warming rack
- Robust 304 grade stainless steel construction with rounded corners
- Enclosed storage with front access doors
- Height adjustable stainless steel feet for a 900mm working height
- 12-month warranty

General Drawing:

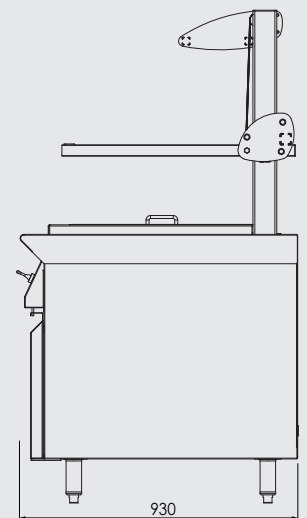
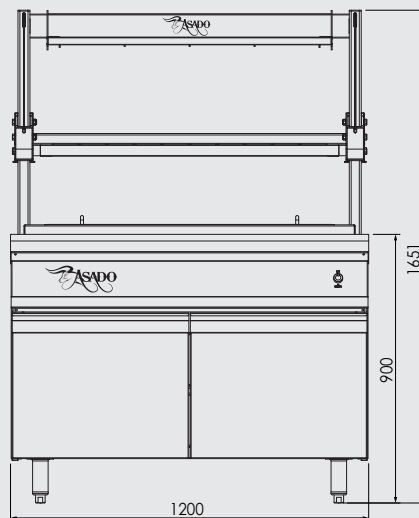
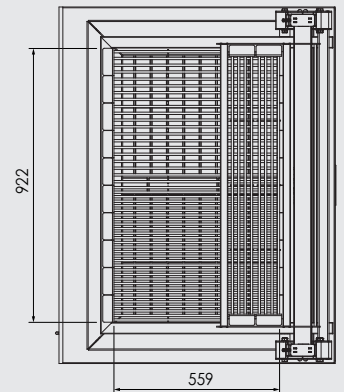


Specifications:

| | |
|-----------------------|---|
| Model | SPAS.PGA.EL9.1200 |
| W x D x H (mm) | 1200 x 930 x 1651 |
| Cooking Zone (mm) | 922 x 559 |
| Electrical Connection | 1Ø + N + E 240VAC / 50Hz / 0.2kW 10A plug & lead fitted |

Note to designers & installers:

Live fuel grills have specific ventilation requirements. It is the responsibility of designers and installers to ensure that ventilation of live fuel grills is in accordance with AS1668.2.



Due to continuous product research and development, the information contained herein is subject to change without notice.

Revision: 01 - 10/11/2021 - A

www.stoddart.com.au

www.stoddart.co.nz