

## Three Glass Sliding Door SlimLine Remote

**Range:** BackBar  
**SKOPE ID:** SL413  
**Dimensions:** 2190 mm (W) × 600 mm (D) × 830 mm (H)\*  
**Capacity:** 448 L

**Project:** \_\_\_\_\_

**Item #:** \_\_\_\_\_

\* Height with castors is adjustable from 820 to 835.



A glass door under-counter bar fridge designed to merchandise ready-to-serve cold beverages in bars, restaurants, clubs, pubs, and cafés. Engineered to serve cold drinks at 1°C to 4°C (or adjustable up to 15°C) in ambient environments of up to 32°C. Made from powder-coated, galvanised steel with colour options, it can also be upgraded to full stainless-steel construction. The glass doors are designed for condensation protection in most environments via the double-glazed, argon-filled low-e insulated panels and heated fascia. Sliding door locks are optional. The built-in LED lights provide optimum merchandising and can be dimmed or timed to turn on and off via a free smartphone app. The fridge uses R290 natural refrigerant for ultra-low energy consumption, low heat discharge and low noise output and can be provided in remote versions. The side-mounted fully removable refrigeration cartridge (with left and right options) is front-breathing and can be removed in line with best practice for safe servicing of flammable refrigerants. The fridge includes a controller that connects to a free app to enable the user to set temperatures and alerts, monitor temperatures and energy, and more. The fridge is certified to all Australian and New Zealand refrigeration and electrical safety standards.



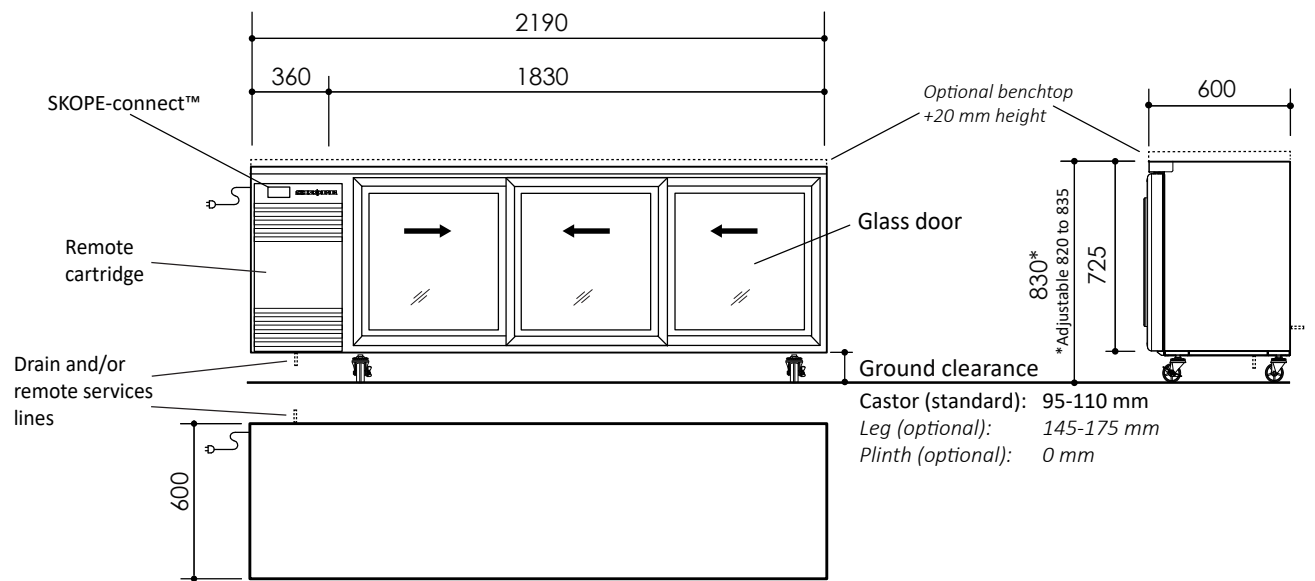
Warranty



GEMS



SKOPE-connect



### Cabinet

Type	SlimLine		
Finish	Powdercoat galvanised steel or stainless steel		
Insulation	Type	PU foam	
	Thickness (mm)	50	
	Blowing Agent	Cyclo-iso pentane (C5H10/C5H12)	
Doors	Type	Glass sliding door (double-glazed, low-e, argon-filled)	
	Opening Size	Height (mm)	538
		Width (mm)	511
Shelving	Six adjustable height plastic-coated wire shelves 4 × outer shelf (547W × 440D), 2 × inner shelf (605W × 440D)		
Lighting*	1 × 24W, cool white (5500-6500K) LED strip on cabinet ceiling		

### Dimensions†

	External	Internal	Packed
Width (mm)	2190	1730	TBC
Depth (mm)	600	475	TBC
Height (mm)	830 (std. castors)	545	TBC
	725 (plinth mount)		
Weight (kg)	199	TBC	
Capacity (L)	448		
Footprint (m <sup>2</sup> )	1.31		

### Ventilation/Clearance (mm)

Take into account remote services location.

Top	Not required	Sides	Not required	Rear	Not required
-----	--------------	-------	--------------	------	--------------

### Product Loading

Facing	330 ml can	50	600 ml bottle	44
Loading	330 ml can	300	600 ml bottle	264

### Dimensional Tolerances

† Allow for dimensional tolerances when installing the cabinet(s).

Linear dimensions	Single cabinet		Multiple cabinets	
			At each joint	At each end wall
Less than 1 metre	±5 mm		±5 mm	+15 mm
More than 1 metre	-5 mm to +10 mm		-5 mm to +10 mm	+15 mm

### Performance

Product Temperature Range (°C)	1 to 4 (adjustable* from 0 to 15)		
Maximum Ambient Temperature (°C)	32		
Sound Level (dB(A))	Standard	< 60	
	Hush Mode	< 60	

### Greenhouse and Energy Minimum Standards (GEMS)

Star Rating	TBC		
Product Temperature Class	M1 (-1 to 5°C)		
Total Energy Consumption	6.71 kWh/24 h		
Annual Running Costs	\$735 (@ \$0.30/kWh)		

### Electrical

Supply	220-240 volts a.c., 50 Hz, single phase supply		
Cord	1.9 m power cord with 3-pin, 10 amp plug		
Current Draw (A)	2.0		

### Remote Services

Location	Rear or base			
Drain Size	OD 19 mm			
Pipe Connection	Liquid line	OD 6.35 mm	Suction line	OD 9.52 mm

### Refrigeration

Controller	SCS Connect (SKOPE-connect™ compatible)			
System Type	Remote cartridge			
Cartridge Weight (kg)	16			
Refrigerant/Charge	Thermostatic expansion valve fitted to suit refrigerant (R134a or R404A standard)/Nitrogen holding charge			
Nominal Capacity (W)	n.a			
Heat Rejection (W)	Average	n.a.	Peak	n.a.
Remote Duty (W)	460			
Defrost Type	Automatic, off-cycle			



SL.3.GSL.r  
on the SKOPE website

\* Accessible via the free SKOPE-connect™ app.