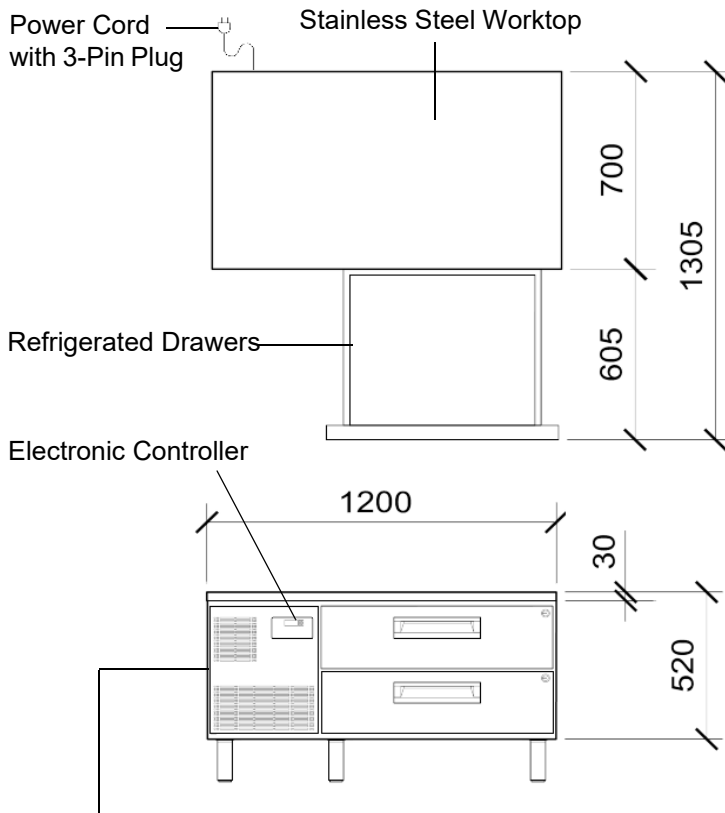


specifications

PGLL150r

SKOPE Pegasus Horizontal 1/1 & 2/1
REMOTE Lowline Chiller (RH52LL)



Side Mounted Remote Refrigeration Unit

CABINET DIMENSIONS

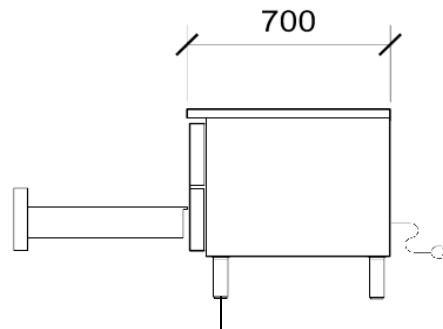
	External	Internal
Height:	520mm*	370mm
Width:	1200mm	700mm
Depth:	700mm	555mm
Floor area:	0.84m ²	

* Height excludes castors or adjustable legs.

Dimensional tolerances

Before installing this cabinet allow the following dimensional tolerances:

Linear dimensions	Overall cabinet dimensions	Length of multiple cabinets	
		At each joint	At each end wall
Less than 1 metre	±5mm	±5mm	+15mm
More than 1 metre	-5mm to +10mm	-5mm to +10mm	+15mm



Adjustable Legs (150-180mm)

Copyright © 2008 SKOPE Industries Limited

CABINET SPECIFICATIONS

Refrigeration system:	Electronic controlled, side mounted, remote refrigeration unit
Refrigerant:	Thermostatic expansion valve fitted to suit R134a/R404A/R452A
Pipe connection size:	Liquid line: 1/4". Suction line: 3/8"
Remote refrigeration duty:	300 Watts
Cabinet internal volume:	150 litres
Insulation:	60mm thick, high density cyclo-isopentane polyurethane foam
Cabinet temperature range:	+1°C to +4°C up to 40°C ambient
Drainage:	Evaporator drain fitted inside service compartment (requires plumbing)
Electrical:	230-240 Volts a.c. 50 Hz, 0.32 Amps
Internal lighting:	n.a.
Drawers:	Two refrigerated stainless steel drawers with individual key locks (638mm wide x 508mm deep x 109mm high) - to fit 1 x 2/1 or 2 x 1/1 pans up to 100mm deep
Worktop:	Heat resistant stainless steel worktop
Shelves:	n.a.
Weight:	85 kg

SKOPE Industries Limited reserve the right to alter specifications without notice.

PSS0237 Rev 2.2 Nov. 2019



SKOPE INDUSTRIES LIMITED



New Zealand Freephone: 0800 947 5673, Fax: (03) 983 3896. Australian Freephone: 1800 121 535, Freefax: 1800 121 533

Email: enquiry@skope.co.nz Website: www.skope.co.nz