

# specifications

## PG500Prepr

SKOPE Pegasus Horizontal 2/1  
REMOTE 2 Door Prep Chiller (JK8302)

### CABINET DIMENSIONS

|                    | External           | Internal |
|--------------------|--------------------|----------|
| <b>Height:</b>     | 771mm*             | 495mm    |
| <b>Width:</b>      | 1750mm             | 1250mm   |
| <b>Depth:</b>      | 828mm              | 650mm    |
| <b>Floor area:</b> | 1.45m <sup>2</sup> |          |

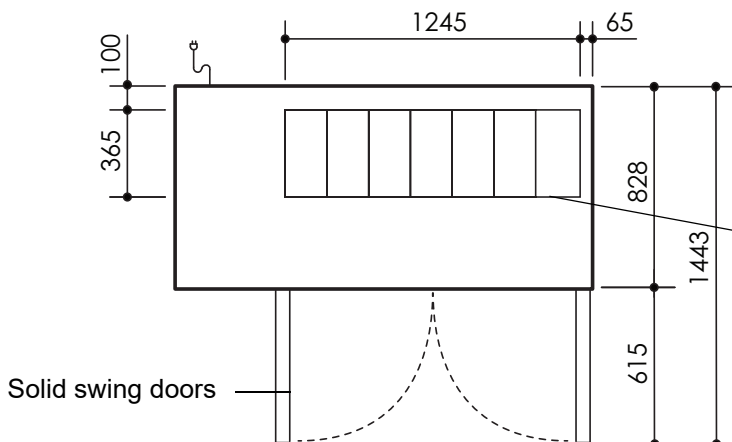
\* Height includes plinth and worktop (excludes castors and adjustable legs).

7 x 1/3 150mm deep pans with 2 pan lids. Pan lids must be in place when pans not in use.

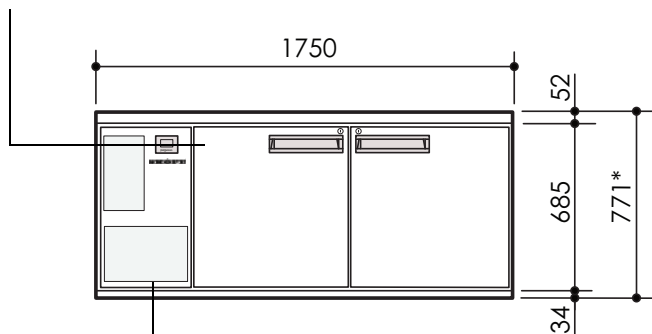
#### Dimensional tolerances

Before installing this cabinet allow the following dimensional tolerances:

| Linear dimensions | Overall cabinet dimensions | Length of multiple cabinets |                  |
|-------------------|----------------------------|-----------------------------|------------------|
|                   |                            | At each joint               | At each end wall |
| Less than 1 metre | ±5mm                       | ±5mm                        | +15mm            |
| More than 1 metre | -5mm to +10mm              | -5mm to +10mm               | +15mm            |



Electronic controller



Side mounted remote refrigeration unit

Power cord with 3-Pin plug

Copyright © 2012 SKOPE Industries Limited

### CABINET SPECIFICATIONS

|                                    |  |
|------------------------------------|--|
| <b>Refrigeration system:</b>       | Electronic controlled, side mounted, remote refrigeration unit             |
| <b>Refrigerant:</b>                | Thermostatic expansion valve fitted to suit R134a/R404A/R452A              |
| <b>Pipe connection size:</b>       | Liquid line: 1/4". Suction line: 3/8"                                      |
| <b>Remote refrigeration duty:</b>  | 706 Watts @ -10°C SST  |
| <b>Cabinet internal volume:</b>    | 480 litres   |
| <b>Insulation:</b>                 | 60mm thick, high density cyclo-isopentane polyurethane foam                |
| <b>Cabinet temperature range:</b>  | +1°C to +5°C up to 30°C ambient  |
| <b>Drainage:</b>                   | Evaporator drain fitted inside service compartment (requires plumbing)     |
| <b>Electrical:</b>                 | 230-240 Volts a.c. 50 Hz, 0.49 Amps  |
| <b>Internal lighting:</b>          | n.a.   |
| <b>Internal door opening size:</b> | 2 door openings: 565mm high x 565mm wide                                   |
| <b>Doors:</b>                      | Solid stainless steel, self-closing doors (with key lock) - LH & RH hinged |
| <b>Worktop:</b>                    | Worktop accepts 7 x 1/3 150mm deep pans                                    |
| <b>Shelves:</b>                    | 2 shelves & adjustable tray slides per door (530mm wide x 650mm deep)      |
| <b>Weight:</b>                     | 135 kg   |

SKOPE Industries Limited reserve the right to alter specifications without notice.

PSS0233 Rev. 4.4 Nov. 2019



**SKOPE INDUSTRIES LIMITED**



New Zealand Freephone: 0800 947 5673, Fax: (03) 983 3896. Australian Freephone: 1800 121 535, Freefax: 1800 121 533

Email: enquiry@skope.co.nz Website: www.skope.co.nz