

# specifications

## PG250HCr-2

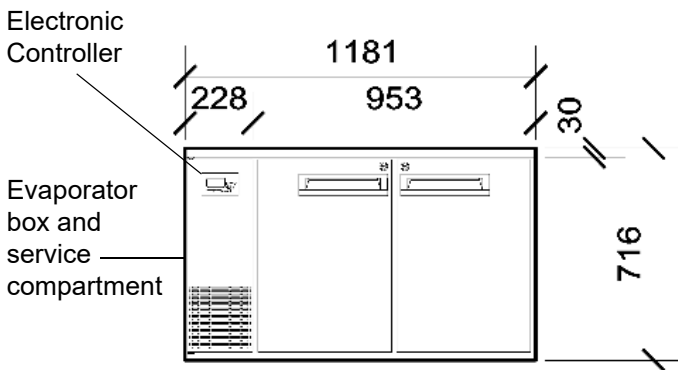
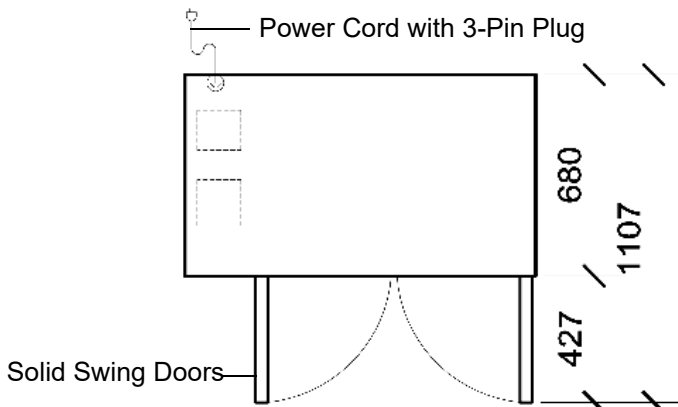
SKOPE Gen2 Pegasus Horizontal 1/1  
REMOTE 2 Door Chiller (JH3302)



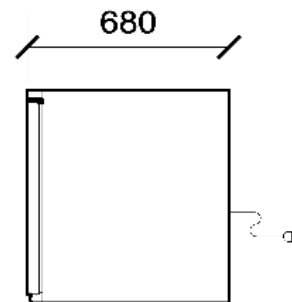
### CABINET DIMENSIONS

|                    | External           | Internal |
|--------------------|--------------------|----------|
| <b>Height:</b>     | 716mm*             | 570mm    |
| <b>Width:</b>      | 1181mm             | 833mm    |
| <b>Depth:</b>      | 680mm              | 545mm    |
| <b>Floor area:</b> | 0.80m <sup>2</sup> |          |

\* Height excludes castors, legs or optional worktop.



| Dimensional tolerances   |                            |
|--|----------------------------|
| Before installing this cabinet allow the following dimensional tolerances: |                            |
| Linear dimensions  | Overall cabinet dimensions |
| Less than 1 metre  | ±5mm                       |
| More than 1 metre  | -5mm to +10mm              |
| Length of multiple cabinets  |                            |
| At each joint  | At each end wall           |
| ±5mm   | +15mm                      |
| -5mm to +10mm  | +15mm                      |



Copyright © 2008 SKOPE Industries Limited

### CABINET SPECIFICATIONS

|                                    |  |
|------------------------------------|--|
| <b>Refrigeration system:</b>       | Electronic controlled, side mounted, remote refrigeration unit             |
| <b>Refrigerant:</b>                | Thermostatic expansion valve fitted to suit R134a/R404A/R452A              |
| <b>Pipe connection size:</b>       | Liquid line: 1/4". Suction line: 3/8"                                      |
| <b>Remote refrigeration duty:</b>  | 360 Watts  |
| <b>Cabinet internal volume:</b>    | 260 litres   |
| <b>Insulation:</b>                 | 60mm thick, high density cyclo-isopentane polyurethane foam                |
| <b>Cabinet temperature range:</b>  | +1°C to +4°C up to 43°C ambient  |
| <b>Drainage:</b>                   | Evaporator drain fitted inside service compartment (requires plumbing)     |
| <b>Electrical:</b>                 | 230-240 Volts a.c. 50 Hz, 0.46 Amps  |
| <b>Internal lighting:</b>          | 1 x 5W T8 LED tube (Ø26 x 360mm) - Door activated                          |
| <b>Internal door opening size:</b> | 2 door openings: 570mm high x 365mm wide                                   |
| <b>Doors:</b>                      | Solid stainless steel, self-closing doors (with key lock) - LH & RH hinged |
| <b>Worktop (optional):</b>         | Optional 35mm stainless steel worktop with 65mm square edged fascia        |
| <b>Shelves:</b>                    | Two levels of non-tip, adjustable tray slides and/or shelves per door      |
| <b>Weight:</b>                     | 115 kg   |

SKOPE Industries Limited reserve the right to alter specifications without notice.

PSS0178 Rev 2.2 Nov. 2019



**SKOPE INDUSTRIES LIMITED**



New Zealand Freephone: 0800 947 5673, Fax: (03) 983 3896. Australian Freephone: 1800 121 535, Freefax: 1800 121 533

Email: enquiry@skope.co.nz Website: www.skope.co.nz