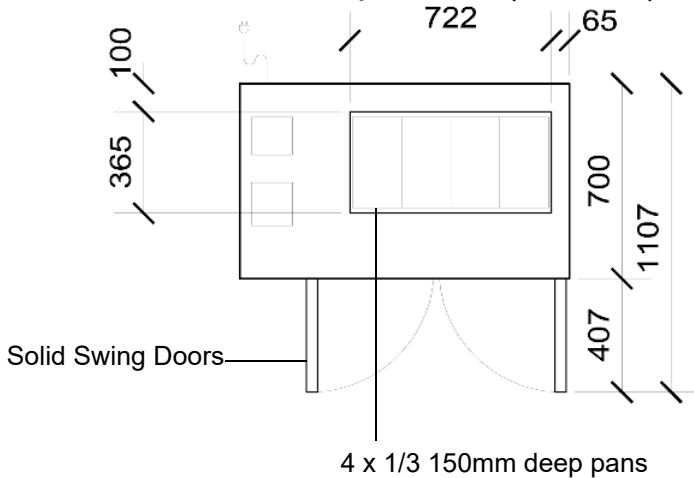


specifications

PG250Prepr-2

SKOPE Gen2 Pegasus Horizontal 1/1
REMOTE 2 Door Prep Chiller (JH8302)

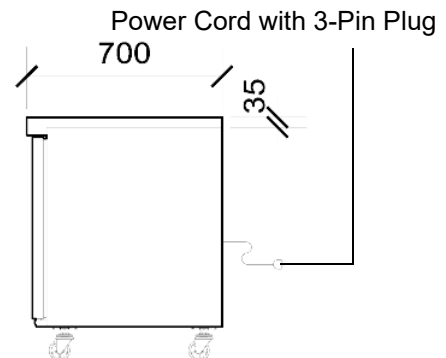
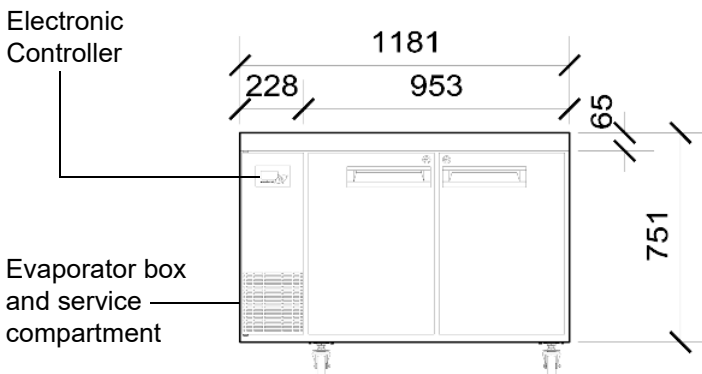


CABINET DIMENSIONS

	External	Internal
Height:	751mm*	570mm
Width:	1181mm	833mm
Depth:	700mm	545mm
Floor area:	0.83m ²	

* Height excludes castors or legs.

Dimensional tolerances			
Before installing this cabinet allow the following dimensional tolerances:			
Linear dimensions	Overall cabinet dimensions	Length of multiple cabinets	
		At each joint	At each end wall
Less than 1 metre	±5mm	±5mm	+15mm
More than 1 metre	-5mm to +10mm	-5mm to +10mm	+15mm



Copyright © 2008 SKOPE Industries Limited

CABINET SPECIFICATIONS

Refrigeration system:	Electronic controlled, side mounted, remote refrigeration unit
Electronic controller:	CAREL ir33 electronic controller
Refrigerant:	Thermostatic expansion valve fitted to suit R134a/R404A/R452A
Pipe connection size:	Liquid line: 1/4". Suction line: 3/8"
Remote refrigeration duty:	500 Watts @ -10°C SST
Cabinet internal volume:	260 litres
Insulation:	60mm thick, high density cyclo-isopentane polyurethane foam
Cabinet temperature range:	+1°C to +5°C up to 30°C ambient
Drainage:	Evaporator drain fitted inside service compartment (requires plumbing)
Electrical:	230-240 Volts a.c. 50 Hz, 3.71 Amps
Internal lighting:	1 x 5W T8 LED tube (Ø26 x 360mm) - Door activated
Internal door opening size:	2 door openings: 570mm high x 365mm wide
Doors:	Solid stainless steel, self-closing doors (with key lock) - LH & RH hinged
Worktop:	Worktop accepts 4 x 1/3 150mm deep pans or 8 x 1/6 150mm deep pans
Shelves:	Two levels of non-tip, adjustable tray slides and/or shelves per door
Weight:	130 kg

SKOPE Industries Limited reserve the right to alter specifications without notice.

PSS0190 Rev 4.2 Nov. 2019



SKOPE INDUSTRIES LIMITED



New Zealand Freephone: 0800 947 5673, Fax: (03) 983 3896. Australian Freephone: 1800 121 535, Freefax: 1800 121 533

Email: enquiry@skope.co.nz Website: www.skope.co.nz