

## Three Solid Swing Door CounterLine

**Range:** BackBar  
**SKOPE ID:** CL003S  
**Dimensions:** 2190 mm (W) × 680 mm (D) × 830 mm (H)\*  
**Capacity:** 533 L

**Project:** \_\_\_\_\_  
**Item #:** \_\_\_\_\_

\* Height with castors is adjustable from 820 to 835.



A solid door under-counter bar fridge designed to merchandise ready-to-serve cold beverages and food in bars, restaurants, clubs, pubs, and cafés. With M1 compliance it is engineered to serve cold food and drinks at 1°C to 4°C (or adjustable up to 15°C) in ambient environments of up to 40°C. Made from powder-coated, galvanised steel with colour options, it can also be upgraded to full stainless-steel construction. The doors and cabinet are fitted with built-in retractable tabs to enable locking via padlock. The fridge uses R290 natural refrigerant for ultra-low-energy consumption, low heat discharge and low noise output and can be provided in remote versions. The side-mounted fully removable refrigeration cartridge (with left and right options) is front-breathing and can be removed in line with best practice for safe servicing of flammable refrigerants. The fridge includes a controller that connects to a free app to enable the user to set temperatures and alerts, monitor temperatures and energy, and more. The fridge is certified to all Australian and New Zealand refrigeration and electrical safety standards



Warranty



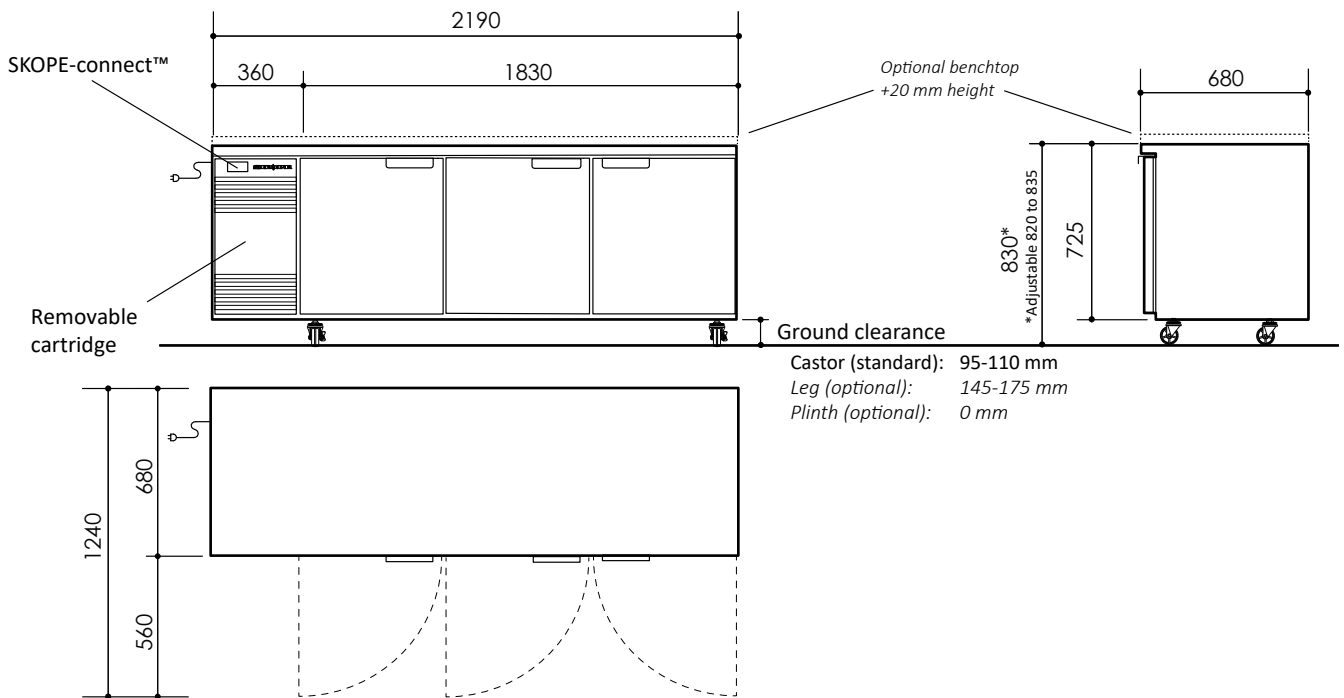
Natural Refrigerant



GEMS



SKOPE-connect



### Cabinet

<b>Type</b>	CounterLine
<b>Finish</b>	Powdercoat galvanised steel or stainless steel
<b>Insulation</b>	Type PU foam
	Thickness (mm) 50
	Blowing Agent Cyclo-iso pentane (C5H10/C5H12)
<b>Doors</b>	Type Solid swing door (l)
	Opening Size Height (mm) 538 Width (mm) 511
<b>Shelving</b>	Six adjustable height plastic-coated wire shelves 2 × inner shelf (547W × 530D), 4 × outer shelf (605W × 530D)
<b>Lighting*</b>	1 × 24 W, cool white (5500-6500K) LED strip on cabinet ceiling

### Dimensions†

	External	Internal	Packed
<b>Width (mm)</b>	2190	1730	TBC
<b>Depth (mm)</b>	680	565	TBC
<b>Height (mm)</b>	830 (std. castors)	545	TBC
	725 (plinth mount)		
<b>Weight (kg)</b>	232		TBC
<b>Capacity (L)</b>	533		
<b>Footprint (m<sup>2</sup>)</b>	1.49		

### Ventilation (mm)

Top	Sides	Rear
Not required	Not required	Not required

### Product Loading

Facing	330 ml can	52	600 ml bottle	46
<b>Loading</b>	330 ml can	416	600 ml bottle	322

\* Accessible via the free SKOPE-connect™ app.

† Allow for dimensional tolerances when installing the cabinet(s).

### Performance

<b>Product Temperature Range (°C)</b>	1 to 4 (adjustable* from 0 to 15)
<b>Maximum Ambient Temperature (°C)</b>	40
<b>Sound Level (dB(A))</b>	Standard < 66
	Hush Mode* < 62

### Greenhouse and Energy Minimum Standards (GEMS)

<b>Star Rating</b>	6
<b>Product Temperature Class</b>	M1 (-1 to 5°C)
<b>Total Energy Consumption</b>	2.17 kWh/24 h
<b>Annual Running Costs</b>	\$238 (@ \$0.30/kWh)

### Electrical

<b>Supply</b>	220-240 volts a.c., 50 Hz, single phase supply
<b>Cord</b>	1.9 m power cord with 3-pin, 10 amp plug
<b>Current draw (A)</b>	2.6

### Refrigeration

<b>Controller</b>	SCS Connect (SKOPE-connect™ compatible)
<b>System Type</b>	Removable cartridge
<b>Cartridge Weight (kg)</b>	24
<b>Refrigerant/Charge</b>	R290/81 g
<b>Nominal Capacity (W)</b>	650
<b>Heat Rejection (W)</b>	Average 90 Peak 110
<b>Remote Duty</b>	n.a.
<b>Defrost Type</b>	Automatic, off-cycle
<b>Drainage</b>	No plumbing required



CL.3.SSW  
on the SKOPE website