

## Modular Cooking Range Line 900XP 2 Drawer Refrigerated Base

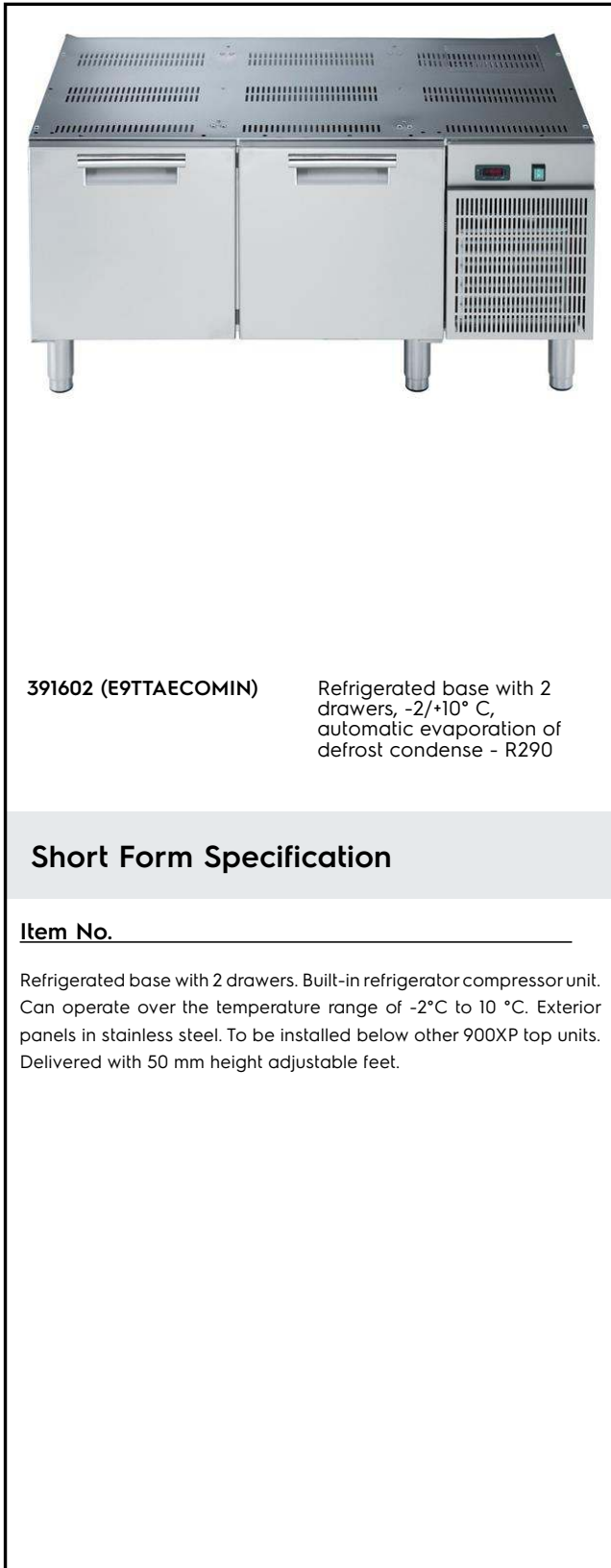
ITEM # \_\_\_\_\_

MODEL # \_\_\_\_\_

NAME # \_\_\_\_\_

SIS # \_\_\_\_\_

AIA # \_\_\_\_\_


**391602 (E9TTAECOMIN)**

Refrigerated base with 2 drawers, -2/+10° C, automatic evaporation of defrost condense - R290

### Short Form Specification

**Item No.** \_\_\_\_\_

Refrigerated base with 2 drawers. Built-in refrigerator compressor unit. Can operate over the temperature range of -2°C to 10 °C. Exterior panels in stainless steel. To be installed below other 900XP top units. Delivered with 50 mm height adjustable feet.

**APPROVAL:** \_\_\_\_\_

### Main Features

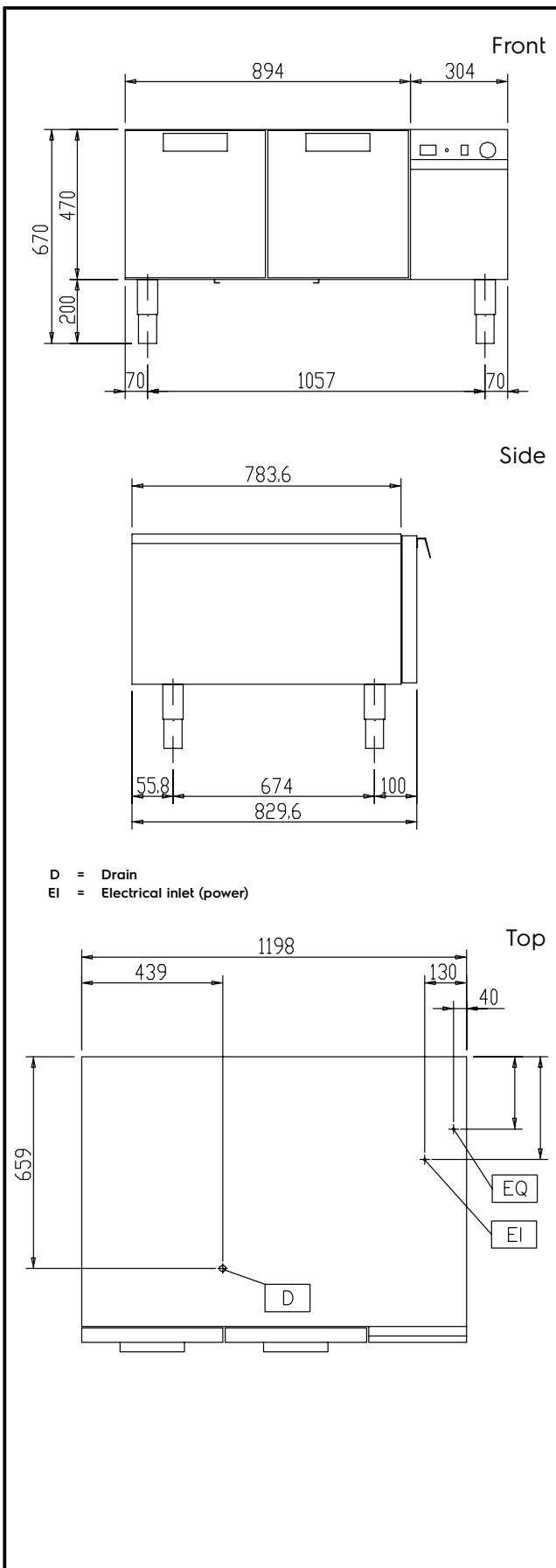
- Unit can be easily installed below other 900 line top models.
- Unit delivered with 50 mm height adjustable feet in Stainless steel.
- Adjustable temperature range from -2 °C to +10 °C to suit meat, fish and dairy storage requirements.
- Forced air circulation for rapid cooling and an even temperature distribution.
- Defrosting and automatic evaporation of condense drain: the condense is automatically evaporated thanks to the electric resistance in the condense drain container.
- GN compliant.
- Designed for modular installation into the cooking block.
- CFC and HCFC free (highly ecological refrigerant type: R290).

### Construction

- Constructed in Stainless steel with Scotch Brite finish to meet the highest hygiene standards.
- Built-in compressor to suit operating conditions.
- Access to all components from the front.

### Optional Accessories

- Flanged feet kit PNC 206136
- Frontal kicking strip for concrete installation, 1200mm PNC 206151
- Frontal kicking strip for concrete installation, 1600mm PNC 206152
- Frontal kicking strip, 1200mm (not for refr-freezer base) PNC 206178
- Frontal kicking strip, 1600mm (not for refr-freezer base) PNC 206179
- Rear paneling - 1200mm (700/900) PNC 206376
- Kit 3 base support for wheels PNC 206430
- Kit 6 wheels - 3 swivelling with brake PNC 206432



## Electric

<b>Supply voltage:</b>	
391602 (E9TTAECOMIN)	220-230 V/1N ph/50 Hz
<b>Electrical power max.:</b>	0.44 kW
<b>Total Watts:</b>	0.44 kW

## Key Information:

<b>Gross capacity:</b>	225 lt
<b>External dimensions, Width:</b>	1200 mm
<b>External dimensions, Height:</b>	600 mm
<b>External dimensions, Depth:</b>	830 mm
<b>Net weight:</b>	114 kg
<b>Shipping weight:</b>	122 kg
<b>Shipping height:</b>	830 mm
<b>Shipping width:</b>	1060 mm
<b>Shipping depth:</b>	1300 mm
<b>Shipping volume:</b>	1.14 m <sup>3</sup>

## Refrigeration Data

<b>Compressor power:</b>	
<b>Refrigerant type:</b>	R290
<b>Refrigerant weight:</b>	85 g