

Modular Cooking Range Line 900XP 3 Drawer Refrigerated Base

ITEM # _____

MODEL # _____

NAME # _____

SIS # _____

AIA # _____


391601 (E9TTAECOMKN)

Refrigerated base with 3 drawers, -2/+10° C, automatic evaporation of defrost condense - R290

Short Form Specification

Item No. _____

Built-in refrigerator compressor unit. Operating temperature range from -2°C to 10°C. To be installed below 700XP top units. To be delivered with 50 mm height adjustable feet. Exterior panels in stainless steel with Scotch Brite finish. One piece pressed work top in 1.5 mm thick stainless steel. Right-angled side edges to allow flush-fitting junction between units.

Main Features

- Defrosting and automatic evaporation of condense drain: the condense is automatically evaporated thanks to the electric resistance in the condense drain container.
- Adjustable temperature range from -2 °C to +10 °C to suit meat, fish and dairy storage requirements.
- Forced air circulation for rapid cooling and an even temperature distribution.
- Right angled side edges eliminate gaps and possible dirt traps between units.
- Unit delivered with 50 mm height adjustable feet in Stainless steel.
- Unit can be easily installed below other 900 line top models.
- GN compliant.
- Designed for modular installation into the cooking block.
- CFC and HCFC free (highly ecological refrigerant type: R290).

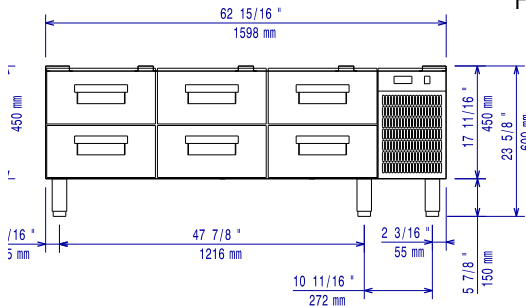
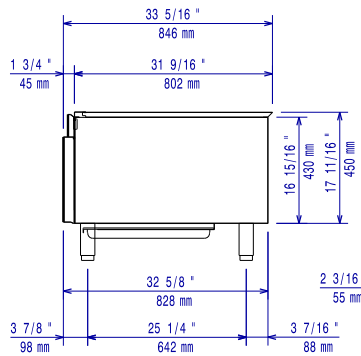
Construction

- Access to all components from the front.
- Built-in compressor to suit operating conditions.
- Exterior panels in Stainless steel with Scotch Brite finish to meet the highest hygiene standards.

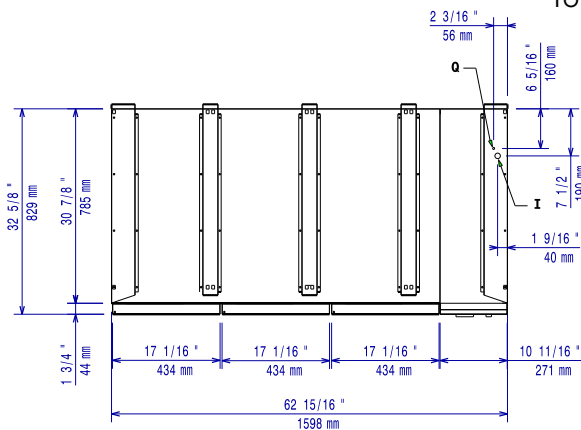
Optional Accessories

- Flanged feet kit PNC 206136
- Frontal kicking strip for concrete installation, 1600mm PNC 206152
- Frontal kicking strip, 1600mm (not for refr-freezer base) PNC 206179
- Kit 3 base support for wheels PNC 206430
- Kit 6 wheels - 3 swivelling with brake PNC 206432

APPROVAL: _____

Front

Side


D = Drain
 EI = Electrical inlet (power)

Top


Electric

Supply voltage:
 391601 (E9TTAECOMKN) 220-230 V/1N ph/50 Hz
 Electrical power max.: 0.44 kW
 Total Watts: 0.44 kW

Key Information:

Gross capacity: 225 lt
 External dimensions, Width: 1600 mm
 External dimensions, Height: 600 mm
 External dimensions, Depth: 830 mm
 Net weight: 110 kg
 Shipping weight: 148 kg
 Shipping height: 840 mm
 Shipping width: 1050 mm
 Shipping depth: 1700 mm
 Shipping volume: 1.5 m³

Refrigeration Data

Refrigerant type: R290
 Refrigerant weight: 85 g