

## Modular Cooking Range Line 900XP Electric Bratt Pan 100lt with Duomat bottom

ITEM # \_\_\_\_\_

MODEL # \_\_\_\_\_

NAME # \_\_\_\_\_

SIS # \_\_\_\_\_

AIA # \_\_\_\_\_


**391420 (E9PPCDBAMG)**

100-lt electric tilting Braising Pan with Duomat cooking surface, thermostatic control (Watermark) - Aus

### Short Form Specification

#### Item No.

Infrared heating elements positioned below the cooking surface. Duomat cooking surface for roasting, browning, stewing, preparation of sauces, sautéing, boiling and braising. Can be installed on cantilever systems. Installation on wheels is not available. Includes mechanism to manually tilt the pan and double-skinned lid in stainless steel. Cooking temperature can be set through thermostat and the energy input through an energy regulator. Exterior panels of unit in stainless steel with Scotch Brite finish. Right-angled side edges to allow flush-fitting junction between units. WATERMARK compliant.

### Main Features

- Bratt pan ideal for sautéing, poaching, steaming, boiling, stewing and damp cooking.
- Duomat cooking surface allows to perform wet and dry cooking alternatively.
- Double-skin well and lid to reduce heat dispersion.
- Infrared heating elements mounted below the cooking surface.
- Lid is double-lined, insulated in 20/10 Stainless steel.
- IPX5 water resistance certification.
- Actual cooking temperature setting through adjustable thermostat.
- Working temperature can be set from 120 °C to 300 °C.
- Energy input controlled by energy regulator.
- Heat-insulated: limited heat radiation and low energy consumption.
- Manual tilting mechanism to facilitate pan emptying.
- Smooth large surfaces, easy access for cleaning.
- The special design of the control knob system guarantees against water infiltration.

### Construction

- Cooking surface with Duomat bottom: a 10 mm-thick alloy obtained from the combination of 2 different stainless steels for better thermal stability and corrosion resistance.
- All pan internal surfaces round and polished for better hygiene.
- All exterior panels in Stainless Steel with Scotch Brite finishing.
- Model has right-angled side edges to allow flush fitting joints between units, eliminating gaps and possible dirt traps.
- Usable capacity of the well 85 liters.

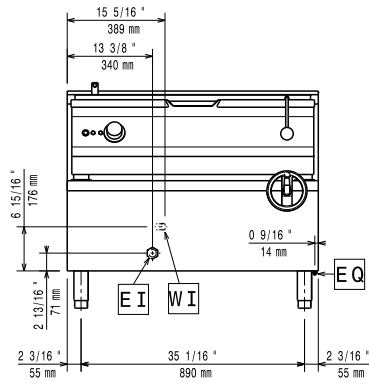
### Optional Accessories

- Flanged feet kit PNC 206136
- Frontal kicking strip for concrete installation, 1000mm PNC 206150
- Frontal kicking strip for concrete installation, 1200mm PNC 206151
- Frontal kicking strip for concrete installation, 1600mm PNC 206152
- Frontal kicking strip, 1000mm (not for refr-freezer base) PNC 206177
- Frontal kicking strip, 1200mm (not for refr-freezer base) PNC 206178
- Frontal kicking strip, 1600mm (not for refr-freezer base) PNC 206179
- Pair of side kicking strips (not for refr-freezer base) PNC 206180
- 2 panels for service duct for single installation PNC 206181
- 2 panels for service duct for back to back installation PNC 206202

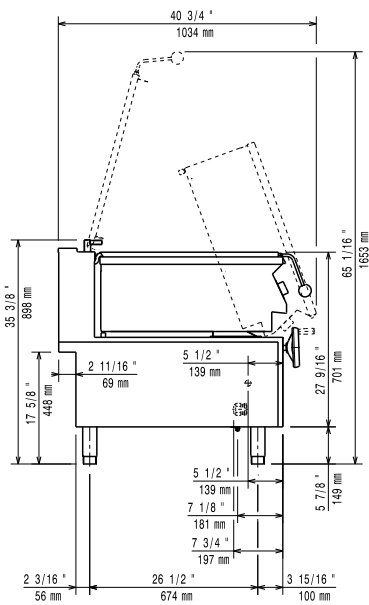
APPROVAL: \_\_\_\_\_

- Kit 4 feet for concrete installation (not for 900 line free standing grill)  PNC 206210
- Chimney upstand, 1000mm  PNC 206305
- Rear paneling - 1000mm (700/900)  PNC 206375
- Rear paneling - 1200mm (700/900)  PNC 206376
- Trolley with lifting & removable tank  PNC 922403

Front

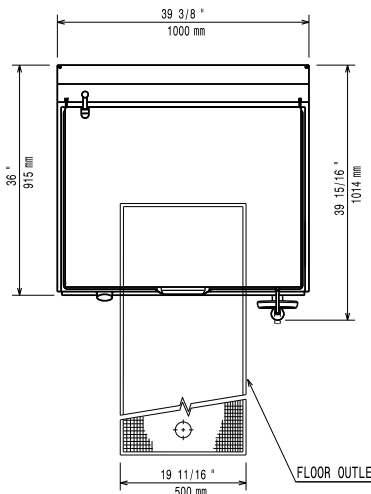


Side



CW11 = Cold Water inlet 1 (cleaning)  
 EI = Electrical inlet (power)

Top



### Electric

**Supply voltage:**  
 391420 (E9PPCDBAMG) 380-400 V/3N ph/50/60 Hz

**Total Watts:** 17 kW

**Predisposed for:** 380-400V 3N- 50/60Hz  
 15.3-17kW

### Key Information:

**Cooking Surface Depth:** 565 mm  
**Cooking Surface Width:** 880 mm  
**Cooking Well Height:** 130 mm  
**Well Capacity, Max:** 100 lt  
**Working Temperature MIN:** 120 °C  
**Working Temperature MAX:** 300 °C  
**Net weight:** 180 kg  
**Shipping weight:** 175 kg  
**Shipping height:** 1070 mm  
**Shipping width:** 1020 mm  
**Shipping depth:** 1070 mm  
**Shipping volume:** 1.17 m<sup>3</sup>

No clearance needed on rear sides of unit if wall is of non combustible type. If wall is combustible, minimum 50 mm wall clearance should be maintained.