

## Modular Cooking Range Line 900XP One Well Electric Fryer 23 liter with Electronic control

ITEM # \_\_\_\_\_

MODEL # \_\_\_\_\_

NAME # \_\_\_\_\_

SIS # \_\_\_\_\_

AIA # \_\_\_\_\_


**391386 (E9KKHOBAMCG)**

23-lt electric Fryer with 1 "V" shaped well (external heating elements), electronic control, programmable, 2 half size baskets - HP

**391339 (E9KKHDBAMCG)**

23-lt electric Fryer with 1 "V" shaped well (external heating elements), electronic control, programmable, 2 half size baskets - HP

### Short Form Specification

**Item No.** \_\_\_\_\_

High efficiency external infrared heating elements (18kW) with innovative deflectors attached to the outside of the well. Deep drawn V-Shaped well and equipped with electronic control panel. Melting function to safely heat-up solid shortening used to fry products. Oil drains through a tap into a container positioned under the well. Height adjustable feet in stainless steel. Exterior panels in stainless steel. Worktop in 20/10, stainless steel. Right-angled side edges eliminate gaps and possible dirt traps between units.

### Main Features

- Deep drawn V-Shaped well.
- Interior of well with rounded corners for ease of cleaning.
- External infrared heating elements for ease of cleaning of internal well.
- Melting function to safely heat-up solid shortening used to fry products.
- Thermostatic regulation of oil temperature up to a maximum of 185 °C.
- Overheat protection thermostat as standard on all units.
- Oil drains through a tap into a drainage container positioned under the well.
- All major compartments located in front of unit for ease of maintenance.
- Unit to be equipped with electronic control panel.
- Unit is 93 cm deep to give a larger working surface area.
- IPX5 water resistance certification.
- The special design of the control knob system guarantees against water infiltration.
- Exterior panels in Stainless Steel with Scotch Brite finish.
- Model has right-angled side edges to allow flush fitting joints between units, eliminating gaps and possible dirt traps.
- Unit delivered with four 50 mm legs in stainless steel as standard (all round Stainless steel kick plates as option).
- Supplied as standard with 2 half size baskets and 1 right side door for cupboard.

### Construction

- Unit is 930 mm deep to give a larger working surface area.
- All exterior panels in Stainless Steel with Scotch Brite finishing.
- Model has right-angled side edges to allow flush fitting joints between units, eliminating gaps and possible dirt traps.
- Interior of well with rounded corners for ease of cleaning.
- Unit delivered with four 50 mm legs in stainless steel as standard.

**APPROVAL:** \_\_\_\_\_

### Included Accessories

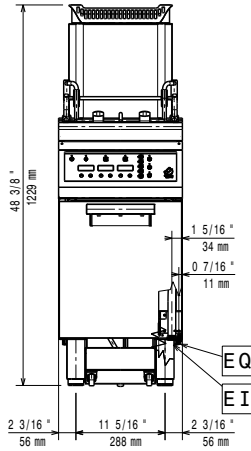
- 1 of Stainless steel oil filter for 23-litre fryer to remove particles of grease and food residuals) - 900XP (only for 391339) PNC 200086
- 1 of Door for open base cupboard PNC 206350
- 1 of 2 half size baskets for 18/23 lt fryers PNC 927223

### Optional Accessories

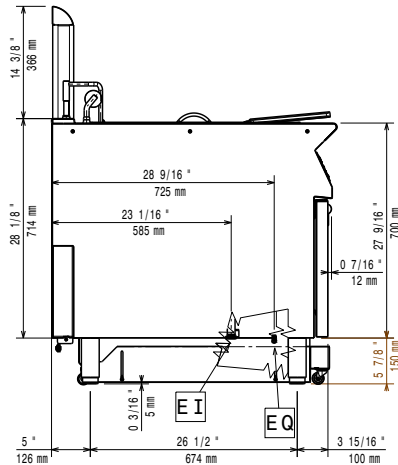
- Stainless steel oil filter for 23-litre fryer to remove particles of grease and food residuals) - 900XP PNC 200086
- Junction sealing kit PNC 206086
- Kit 4 wheels - 2 swivelling with brake - it is mandatory to install Base support and wheels (only for 391339) PNC 206135
- Flanged feet kit PNC 206136
- Frontal kicking strip for concrete installation, 400mm (only for 391386) PNC 206147
- Frontal kicking strip for concrete installation, 800mm (only for 391386) PNC 206148
- Frontal kicking strip for concrete installation, 1000mm (only for 391386) PNC 206150
- Frontal kicking strip for concrete installation, 1200mm (only for 391386) PNC 206151
- Frontal kicking strip for concrete installation, 1600mm (only for 391386) PNC 206152
- Pair of side kicking strips (not for refr-freezer base) PNC 206180
- 2 panels for service duct for single installation (only for 391386) PNC 206181
- Hygienic lid for 23lt fryers PNC 206201
- 2 panels for service duct for back to back installation (only for 391386) PNC 206202
- Frontal kicking strip for 23lt fryers in two parts PNC 206203
- Extension pipe for oil drainage for fryers PNC 206209
- Chimney upstand, 400mm PNC 206303
- Back handrail 800mm, Marine (only for 391386) PNC 206308
- Back handrail 1200mm, Marine (only for 391386) PNC 206309
- Door for open base cupboard PNC 206350
- Base support for feet or wheels (lateral) for 23lt fryers, pastacookers (900XP) and refrigerated bases PNC 206372
- Rear paneling - 600mm (700/900XP) (only for 391386) PNC 206373
- Rear paneling - 800mm (700/900) (only for 391386) PNC 206374
- Rear paneling - 1000mm (700/900) (only for 391386) PNC 206375
- Rear paneling - 1200mm (700/900) (only for 391386) PNC 206376
- 2 side covering panels for free standing appliances PNC 216134
- Sediment collection tray for 23-litre fryer (to be put in the well) PNC 921023
- 2 half baskets for 18/23lt fryers with front hook PNC 927200

- 1 full basket for 18/23lt fryers with front hook PNC 927201
- 2 half size baskets for 18/23 lt fryers PNC 927223
- 1 full size basket for 18/23 lt fryers PNC 927226
- Unclogging rod for 23lt fryers drainage pipe PNC 927227
- Deflector for floured products for 23lt fryers PNC 960645

Front

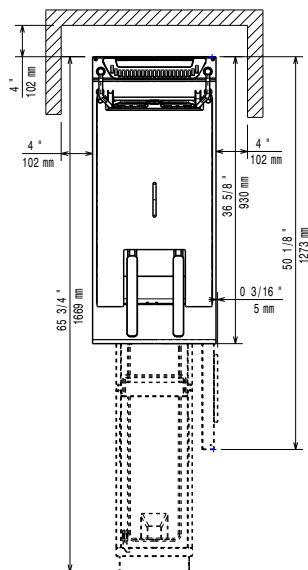


Side



EI = Electrical inlet (power)  
 EQ = Equipotential screw

Top



## Electric

### Supply voltage:

391386 (E9KKHOBAMCG)	415-430 V/3N ph/50/60 Hz
391339 (E9KKHDBAMCG)	380-400 V/3N ph/50/60 Hz

### Total Watts:

391386 (E9KKHOBAMCG)	17.2 kW
391339 (E9KKHDBAMCG)	18 kW

## Key Information:

Usable well dimensions (width):	340 mm
Usable well dimensions (height):	575 mm
Usable well dimensions (depth):	400 mm
Well capacity:	21 lt MIN; 23 lt MAX

### Performance\*:

391386 (E9KKHOBAMCG)	35.5 kg\hr
391339 (E9KKHDBAMCG)	37.6 kg\hr
Thermostat Range:	110 °C MIN; 190 °C MAX

Net weight:	86 kg
Shipping weight:	108 kg
Shipping height:	1480 mm
Shipping width:	460 mm
Shipping depth:	1020 mm
Shipping volume:	0.69 m <sup>3</sup>

If appliance is set up or next to or against temperature sensitive furniture or similar, a safety gap of approximately 150 mm should be maintained or some form of heat insulation fitted.

*Based on:	ASTM F1361-Deep fat fryers
Certification group:	EFE91E23