



## Modular Cooking Range Line 900XP Two Wells Electric Fryer 23 liter

ITEM # \_\_\_\_\_

MODEL # \_\_\_\_\_

NAME # \_\_\_\_\_

SIS # \_\_\_\_\_

AIA # \_\_\_\_\_



**391385 (E9KKGOBAMEA)** 23+23-lt electric Fryer with 2 "V" shaped wells (external heating elements) and 4 half size baskets

**391338 (E9KKGDBAMEA)** 23+23-lt electric Fryer with 2 "V" shaped wells (external heating elements) and 4 half size baskets

### Short Form Specification

Item No. \_\_\_\_\_

High efficiency external infrared heating elements (36kW) with innovative deflectors attached to the outside of the well. Deep drawn V-Shaped wells. Oil drains through a tap into a container positioned under the wells. Height adjustable feet in stainless steel. Exterior panels in stainless steel. Worktop in 20/10, stainless steel. Right-angled side edges eliminate gaps and possible dirt traps between units.

### Main Features

- Deep drawn V-Shaped wells.
- Interior of wells with seamlessly laser-welded corners for ease of cleaning.
- External infrared heating elements with innovative deflectors applied to the well for ease of cleaning of the internal well and safe operations.
- Thermostatic regulation of oil temperature up to a maximum of 185 °C.
- Overheat protection thermostat as standard on all units.
- All major compartments located in front of unit for ease of maintenance.
- IPX5 water resistance certification.
- The special design of the control knob system guarantees against water infiltration.
- Supplied as standard with 4 half size baskets and 1 right and left side doors for cupboard.
- Optional portable oil quality monitoring tool (code 9B8081) for efficient oil management.

### Construction

- Unit is 930 mm deep to give a larger working surface area.
- All exterior panels in Stainless Steel with Scotch Brite finishing.
- Model has right-angled side edges to allow flush fitting joints between units, eliminating gaps and possible dirt traps.
- Unit delivered with four 50 mm legs in stainless steel as standard.

APPROVAL: \_\_\_\_\_



Modular Cooking Range Line  
900XP Two Wells Electric Fryer 23 liter



Experience the Excellence  
[www.electroluxprofessional.com](http://www.electroluxprofessional.com)

### Included Accessories

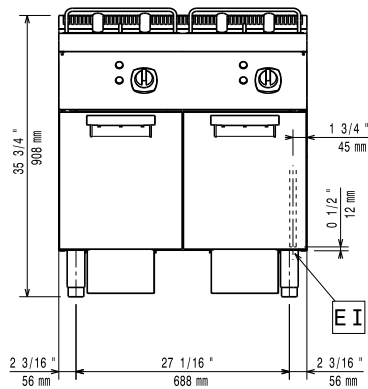
- 2 of Door for open base cupboard PNC 206350
- 2 of 2 half size baskets for 18/23 lt fryers PNC 927223

### Optional Accessories

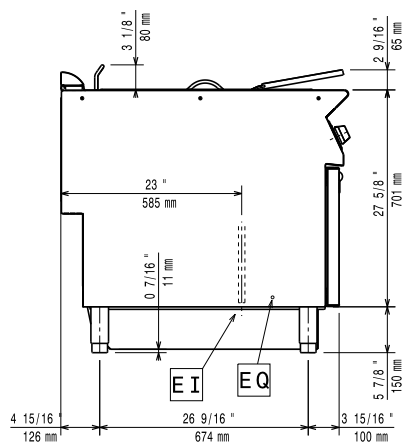
- Stainless steel oil filter for 23-litre fryer to remove particles of grease and food residuals) - 900XP PNC 200086
- Junction sealing kit PNC 206086
- Kit 4 wheels - 2 swivelling with brake - it is mandatory to install Base support and wheels PNC 206135
- Flanged feet kit PNC 206136
- Frontal kicking strip for concrete installation, 800mm (only for 391385) PNC 206148
- Frontal kicking strip for concrete installation, 1000mm (only for 391385) PNC 206150
- Frontal kicking strip for concrete installation, 1200mm (only for 391385) PNC 206151
- Frontal kicking strip for concrete installation, 1600mm (only for 391385) PNC 206152
- Pair of side kicking strips (not for refr-freezer base) PNC 206180
- 2 panels for service duct for single installation (only for 391385) PNC 206181
- Hygienic lid for 23lt fryers PNC 206201
- 2 panels for service duct for back to back installation (only for 391385) PNC 206202
- Frontal kicking strip for 23lt fryers in two parts PNC 206203
- Extension pipe for oil drainage for fryers PNC 206209
- Kit 4 feet for concrete installation (not for 900 line free standing grill) (only for 391385) PNC 206210
- Chimney upstand, 800mm PNC 206304
- Back handrail 800mm, Marine (only for 391385) PNC 206308
- Back handrail 1200mm, Marine (only for 391385) PNC 206309
- Door for open base cupboard PNC 206350
- Base support for feet or wheels (lateral) for 23lt fryers, pastacookers (900XP) and refrigerated bases PNC 206372
- Rear paneling - 800mm (700/900) (only for 391385) PNC 206374
- Rear paneling - 1000mm (700/900) (only for 391385) PNC 206375
- Rear paneling - 1200mm (700/900) (only for 391385) PNC 206376
- Chimney grid net, 400mm (700XP/900) PNC 206400
- 2 side covering panels for free standing appliances PNC 216134
- Sediment collection tray for 23-litre fryer (to be put in the well) PNC 921023
- 2 half baskets for 18/23lt fryers with front hook PNC 927200
- 1 full basket for 18/23lt fryers with front hook PNC 927201

- 2 half size baskets for 18/23 lt fryers PNC 927223
- 1 full size basket for 18/23 lt fryers PNC 927226
- Unclogging rod for 23lt fryers drainage pipe PNC 927227
- Deflector for floured products for 23lt fryers PNC 960645

Front

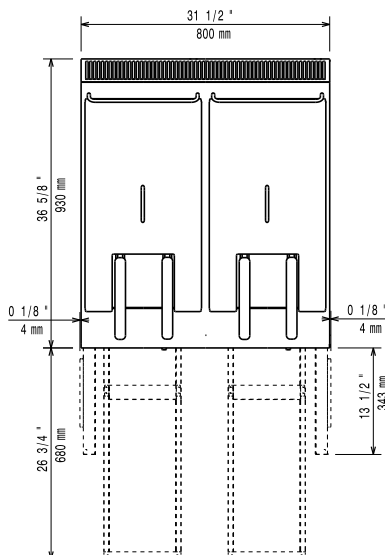


Side



EI = Electrical inlet (power)  
 EQ = Equipotential screw

Top



### Electric

#### Supply voltage:

391385 (E9KKGOBAMEA)	415-430 V/3N ph/50/60 Hz
391338 (E9KKGDBAMEA)	380-400 V/3N ph/50/60 Hz

#### Total Watts:

391385 (E9KKGOBAMEA)	34.4 kW
391338 (E9KKGDBAMEA)	36 kW

### Key Information:

Usable well dimensions (width):	340 mm
Usable well dimensions (height):	575 mm
Usable well dimensions (depth):	400 mm
Well capacity:	21 lt MIN; 23 lt MAX

#### Performance\*:

391385 (E9KKGOBAMEA)	70.8 kg\hr
391338 (E9KKGDBAMEA)	75 kg\hr
Thermostat Range:	105 °C MIN; 185 °C MAX

#### Net weight:

115 kg

#### Shipping weight:

391385 (E9KKGOBAMEA)	120 kg
391338 (E9KKGDBAMEA)	124 kg

#### Shipping height:

1080 mm

#### Shipping width:

1020 mm

#### Shipping depth:

860 mm

#### Shipping volume:

0.95 m<sup>3</sup>

If appliance is set up or next to or against temperature sensitive furniture or similar, a safety gap of approximately 150 mm should be maintained or some form of heat insulation fitted.

#### \*Based on:

ASTM F1361-Deep fat fryers

#### Certification group:

EFE92M23