



# Modular Cooking Range Line 900XP One Well Gas Fryer 23 liter

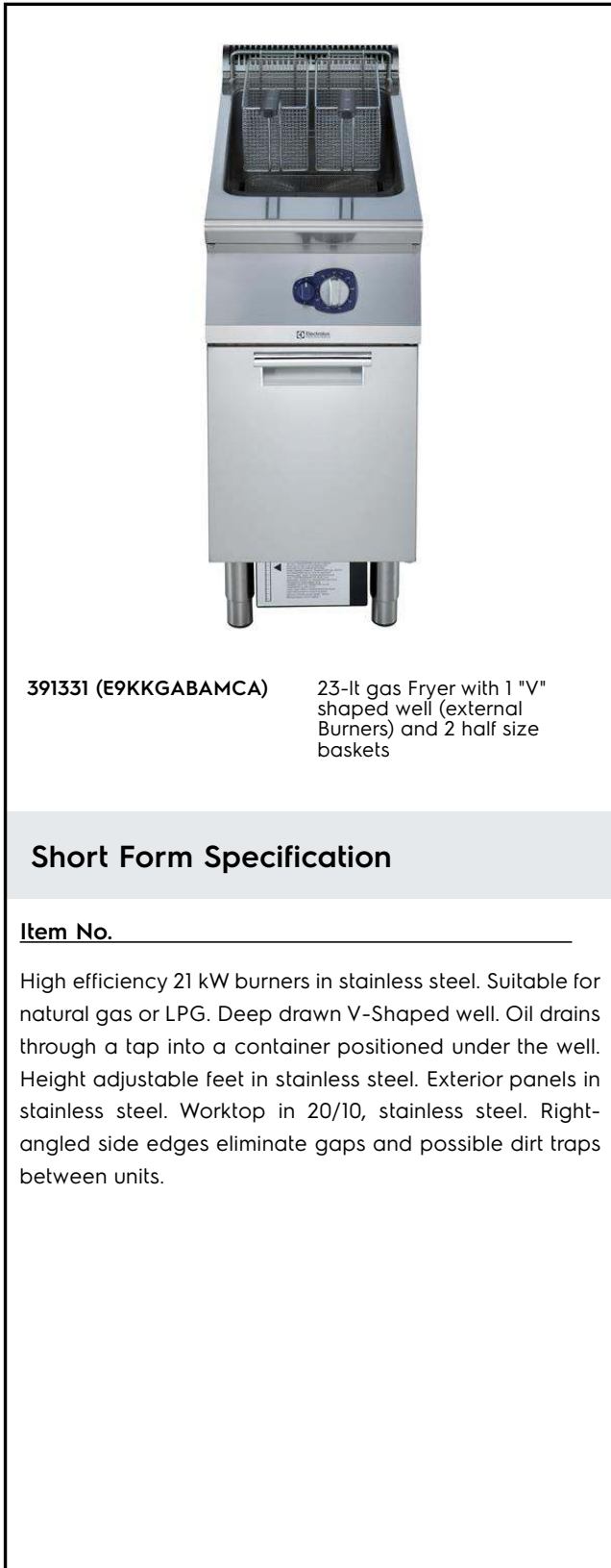
ITEM # \_\_\_\_\_

MODEL # \_\_\_\_\_

NAME # \_\_\_\_\_

SIS # \_\_\_\_\_

AIA # \_\_\_\_\_



**391331 (E9KKGABAMCA)** 23-lt gas Fryer with 1 "V" shaped well (external Burners) and 2 half size baskets

### Short Form Specification

Item No. \_\_\_\_\_

High efficiency 21 kW burners in stainless steel. Suitable for natural gas or LPG. Deep drawn V-Shaped well. Oil drains through a tap into a container positioned under the well. Height adjustable feet in stainless steel. Exterior panels in stainless steel. Worktop in 20/10, stainless steel. Right-angled side edges eliminate gaps and possible dirt traps between units.

### Main Features

- Deep drawn V-Shaped well.
- Thermostatic regulation of oil temperature up to a maximum of 190 °C.
- Flame failure device on each burner.
- Overheat protection thermostat as standard on all units.
- All major compartments located in front of unit for ease of maintenance.
- Piezo spark ignition for added safety.
- IPX5 water resistance certification.
- The special design of the control knob system guarantees against water infiltration.
- Supplied as standard with 2 half size baskets and 1 right side door for cupboard.
- High efficiency 21 kW burners in stainless steel with flame failure device attached to the outside of the well.
- Optional portable oil quality monitoring tool (code 9B8081) for efficient oil management.

### Construction

- Unit is 930 mm deep to give a larger working surface area.
- All exterior panels in Stainless Steel with Scotch Brite finishing.
- Model has right-angled side edges to allow flush fitting joints between units, eliminating gaps and possible dirt traps.
- Interior of well with rounded corners for ease of cleaning.
- Unit delivered with four 50 mm legs in stainless steel as standard.

APPROVAL: \_\_\_\_\_



Experience the Excellence  
[www.electroluxprofessional.com](http://www.electroluxprofessional.com)

Modular Cooking Range Line  
900XP One Well Gas Fryer 23 liter

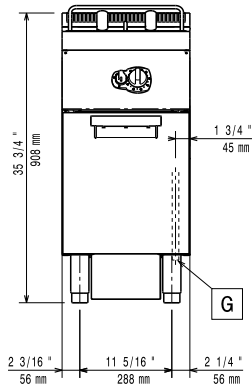
**Included Accessories**

- 1 of Door for open base cupboard PNC 206350
- 1 of 2 half size baskets for 18/23 lt fryers PNC 927223

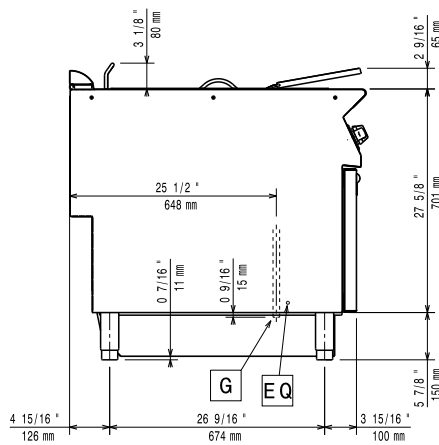
**Optional Accessories**

- Stainless steel oil filter for 23-litre fryer to remove particles of grease and food residuals) - 900XP PNC 200086
- Junction sealing kit PNC 206086
- Draught diverter, 120 mm diameter PNC 206126
- Matching ring for flue condenser, 120 mm diameter PNC 206127
- Kit 4 wheels - 2 swivelling with brake - it is mandatory to install Base support and wheels PNC 206135
- Flanged feet kit PNC 206136
- Pair of side kicking strips (not for refr-freezer base) PNC 206180
- Hygienic lid for 23lt fryers PNC 206201
- Frontal kicking strip for 23lt fryers in two parts PNC 206203
- Extension pipe for oil drainage for fryers PNC 206209
- Chimney upstand, 400mm PNC 206303
- Flue condenser for 1/2 module, 120 mm diameter PNC 206310
- Door for open base cupboard PNC 206350
- Base support for feet or wheels (lateral) for 23lt fryers, pastacookers (900XP) and refrigerated bases PNC 206372
- Chimney grid net, 400mm (700XP/900) PNC 206400
- 2 side covering panels for free standing appliances PNC 216134
- Sediment collection tray for 23-litre fryer (to be put in the well) PNC 921023
- 2 half baskets for 18/23lt fryers with front hook PNC 927200
- 1 full basket for 18/23lt fryers with front hook PNC 927201
- 2 half size baskets for 18/23 lt fryers PNC 927223
- Pressure regulator for gas units PNC 927225
- 1 full size basket for 18/23 lt fryers PNC 927226
- Unclogging rod for 23lt fryers drainage pipe PNC 927227
- Deflector for floured products for 23lt fryers PNC 960645

Front

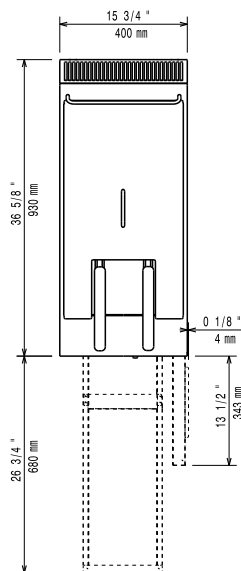


Side



EQ = Equipotential screw  
 G = Gas connection

Top



## Gas

<b>Gas Power:</b>	391331 (E9KKGABAMCA)	21 kW
<b>Standard gas delivery:</b>		Natural Gas G20 (20mbar)
<b>Gas Type Option:</b>		LPG; Natural Gas
<b>Gas Inlet:</b>		1/2"

## Key Information:

<b>Usable well dimensions (width):</b>	340 mm
<b>Usable well dimensions (height):</b>	575 mm
<b>Usable well dimensions (depth):</b>	400 mm
<b>Well capacity:</b>	21 lt MIN; 23 lt MAX
<b>Performance*:</b>	28.4 kg/hr
<b>Thermostat Range:</b>	120 °C MIN; 190 °C MAX
<b>Net weight:</b>	57 kg
<b>Shipping weight:</b>	75 kg
<b>Shipping height:</b>	1080 mm
<b>Shipping width:</b>	480 mm
<b>Shipping depth:</b>	1020 mm
<b>Shipping volume:</b>	0.53 m <sup>3</sup>

If appliance is set up or next to or against temperature sensitive furniture or similar, a safety gap of approximately 150 mm should be maintained or some form of heat insulation fitted.

<b>*Based on:</b>	ASTM F1361-Deep fat fryers
<b>Certification group:</b>	GF91M23