

## Modular Cooking Range Line 900XP 4 Electric Hot Plate Range on Electric Oven

ITEM # \_\_\_\_\_

MODEL # \_\_\_\_\_

NAME # \_\_\_\_\_

SIS # \_\_\_\_\_

AIA # \_\_\_\_\_


**391041 (E9ECEH4QE0)**

4-Hot Square Plates (4 kW each) electric Range on electric Oven (6 kW)

**391167 (E9ECEH4QEN)**

4-Hot Plate (4 kW each) electric Range on electric Oven (6 kW)

### Short Form Specification

#### Item No.

Unit to be Electrolux 900XP four 4kW electric hot plate range on electric oven. Electric characteristics to be \_\_400V or \_\_230V. Unit to be installed on stainless steel feet with height adjustment up to 50 mm. Unit to have cast-iron hot plates hermetically sealed to the one-piece top. Oven chamber with 3 levels of runners to accommodate 2/1 GN shelves (2 steam pans). Unit to have ribbed, cast-iron oven base plate. Exterior panels of unit in Stainless steel with Scotch Brite finish. Extra strength work top in heavy duty 2 mm Stainless steel. Unit has right-angled side edges to allow flush-fitting junction between units.

### Main Features

- Unit to be mounted on stainless steel feet with height adjustment up to 50 mm. Unit can be easily mounted on cantilever systems.
- The four 4kW electric cast-iron hot plates are hermetically sealed to the one piece top and are featured with safety thermostat.
- Base compartment consists of an electric standard oven with 40 mm thick oven door for heat insulation, positioned beneath the base plate.
- Oven chamber with 3 levels of runners to accommodate 2/1 GN shelves (2 steam pans).
- Ribbed cast iron oven base plate.
- Oven to feature separate thermostats for top and bottom elements. Thermostat temperature adjustable from 110°C to 285°C.
- The special design of the control knob system guarantees against water infiltration.
- IPX5 water protection.
- Top configuration allows installation on ambient base only (not possible to install on refrigerated nor freezer base).

### Construction

- Unit is 930 mm deep to give a larger working surface area.
- All exterior panels in Stainless Steel with Scotch Brite finishing.
- AISI 304 stainless steel worktop, 2mm thick.
- Model has right-angled side edges to allow flush fitting joints between units, eliminating gaps and possible dirt traps.

### Included Accessories

- 1 of GN2/1 chrome grid for static oven PNC 164250

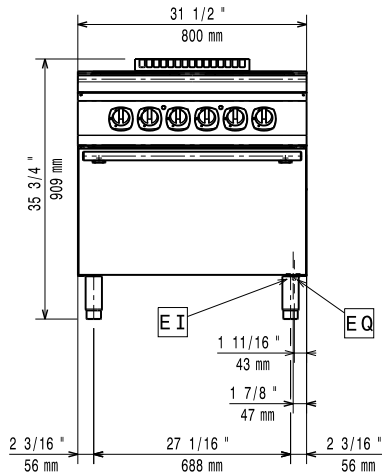
### Optional Accessories

- GN2/1 chrome grid for static oven PNC 164250
- Pair of cast iron plate bars for electric cooking top PNC 206056
- Junction sealing kit PNC 206086
- Kit 4 wheels - 2 swivelling with brake - it is mandatory to install Base support and wheels PNC 206135
- Flanged feet kit PNC 206136
- Frontal kicking strip for concrete installation, 800mm PNC 206148
- Frontal kicking strip for concrete installation, 1000mm PNC 206150

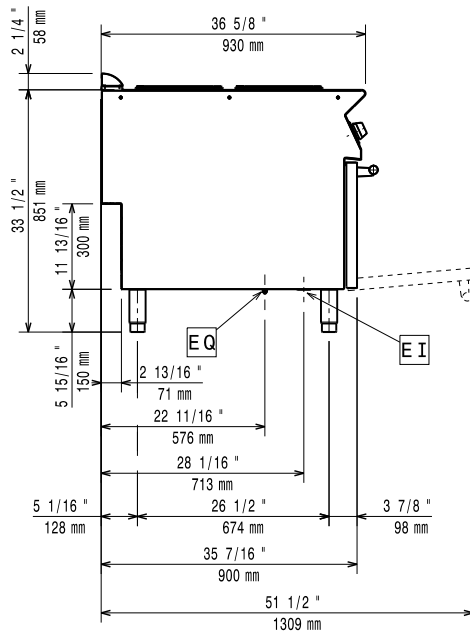
APPROVAL: \_\_\_\_\_

- |   |            |  |                                     |
|---|------------|--|-------------------------------------|
| • Frontal kicking strip for concrete installation, 1200mm                     | PNC 206151 | • Large handrail - portioning shelf, 800mm | PNC 216186 <input type="checkbox"/> |
| • Frontal kicking strip for concrete installation, 1600mm                     | PNC 206152 |  |                                     |
| • Pair of side kicking strips for concrete installation                       | PNC 206157 |  |                                     |
| • Frontal kicking strip, 800mm (not for refr-freezer base)                    | PNC 206176 |  |                                     |
| • Frontal kicking strip, 1000mm (not for refr-freezer base)                   | PNC 206177 |  |                                     |
| • Frontal kicking strip, 1200mm (not for refr-freezer base)                   | PNC 206178 |  |                                     |
| • Frontal kicking strip, 1600mm (not for refr-freezer base)                   | PNC 206179 |  |                                     |
| • Pair of side kicking strips (not for refr-freezer base)                     | PNC 206180 |  |                                     |
| • 2 panels for service duct for single installation                           | PNC 206181 |  |                                     |
| • 2 panels for service duct for back to back installation                     | PNC 206202 |  |                                     |
| • Kit 4 feet for concrete installation (not for 900 line free standing grill) | PNC 206210 |  |                                     |
| • Water column with swivel arm (water column extension not included)          | PNC 206289 |  |                                     |
| • Water column extension for 900 line   | PNC 206290 |  |                                     |
| • Chimney upstand, 800mm  | PNC 206304 |  |                                     |
| • Back handrail 800mm, Marine   | PNC 206308 |  |                                     |
| • Back handrail 1200mm, Marine  | PNC 206309 |  |                                     |
| • Base support for feet or wheels - 800mm (700/900)                           | PNC 206367 |  |                                     |
| • Base support for feet or wheels - 1200mm (700/900)                          | PNC 206368 |  |                                     |
| • Base support for feet or wheels - 1600mm (700/900)                          | PNC 206369 |  |                                     |
| • Base support for feet or wheels - 2000mm (700/900)                          | PNC 206370 |  |                                     |
| • Rear paneling - 800mm (700/900)   | PNC 206374 |  |                                     |
| • Rear paneling - 1000mm (700/900)  | PNC 206375 |  |                                     |
| • Rear paneling - 1200mm (700/900)  | PNC 206376 |  |                                     |
| • Chimney grid net, 400mm (700XP/900)   | PNC 206400 |  |                                     |
| • Side handrail-right/left hand (900XP)                                       | PNC 216044 |  |                                     |
| • Frontal handrail, 800mm   | PNC 216047 |  |                                     |
| • Frontal handrail, 1200mm  | PNC 216049 |  |                                     |
| • Frontal handrail, 1600mm  | PNC 216050 |  |                                     |
| • 2 side covering panels for free standing appliances                         | PNC 216134 |  |                                     |

Front

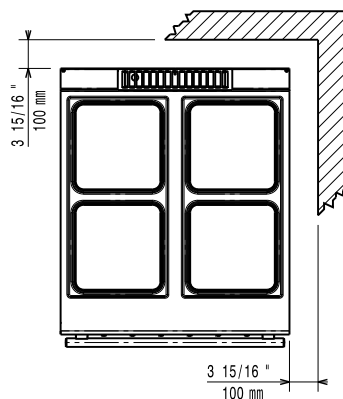


Side



EI = Electrical inlet (power)  
EQ = Equipotential screw

Top



### Electric

**Supply voltage:**

391041 (E9ECEH4QE0) 380-400 V/3N ph/50/60 Hz  
391167 (E9ECEH4QEN) 230 V/3 ph/50/60 Hz

**Electrical power max.:**

22 kW

**Total Watts:**

22 kW

**Predisposed for:**

391041 (E9ECEH4QE0) 380-400V 3N- 50/60Hz  
20-22kW

### Key Information:

<b>Front Plates Power:</b>	4 - 4 kW
<b>Back Plates Power:</b>	4 - 4 kW
<b>Front Plates dimensions:</b>	300x300 300x300
<b>Back Plates dimensions:</b>	300x300 300x300
<b>Oven Heat Input:</b>	6 kW
<b>Oven working Temperature:</b>	110 °C MIN; 285 °C MAX
<b>Oven Cavity Dimensions (width):</b>	575 mm
<b>Oven Cavity Dimensions (height):</b>	300 mm
<b>Oven Cavity Dimensions (depth):</b>	700 mm
<b>External dimensions, Width:</b>	800 mm
<b>External dimensions, Height:</b>	850 mm
<b>External dimensions, Depth:</b>	930 mm
<b>Net weight:</b>	
391041 (E9ECEH4QE0)	120 kg
391167 (E9ECEH4QEN)	145 kg
<b>Shipping weight:</b>	
391041 (E9ECEH4QE0)	141 kg
391167 (E9ECEH4QEN)	170 kg
<b>Shipping height:</b>	
391041 (E9ECEH4QE0)	1080 mm
391167 (E9ECEH4QEN)	1120 mm
<b>Shipping width:</b>	1020 mm
<b>Shipping depth:</b>	860 mm
<b>Shipping volume:</b>	
391041 (E9ECEH4QE0)	0.95 m <sup>3</sup>
391167 (E9ECEH4QEN)	0.98 m <sup>3</sup>

If appliance is set up or next to or against temperature sensitive furniture or similar, a safety gap of approximately 150 mm should be maintained or some form of heat insulation fitted.

**Certification group:**

391041 (E9ECEH4QE0) EH94O  
391167 (E9ECEH4QEN) N9CEI