



Electrolux
PROFESSIONAL

Modular Cooking Range Line 700XP 2 Drawer Freezer Base

ITEM # _____

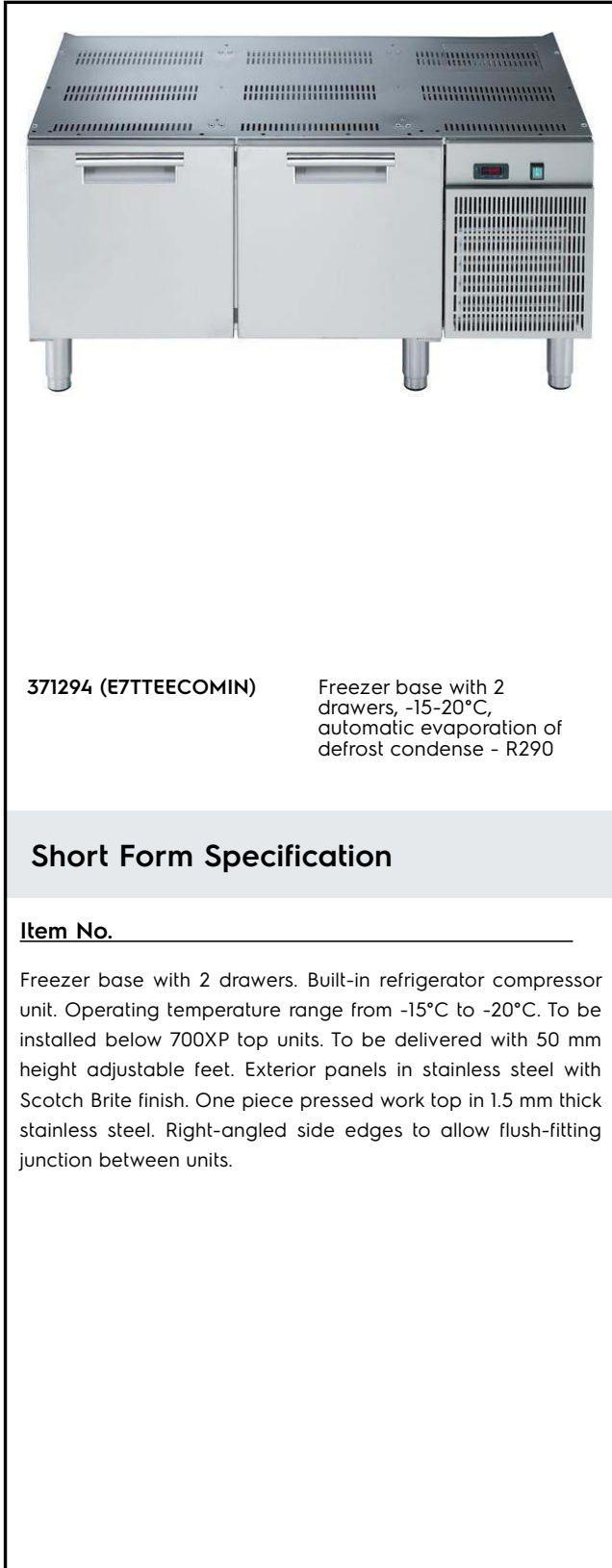
MODEL # _____

NAME # _____

SIS # _____

AIA # _____

Electrolux
PROFESSIONAL



371294 (E7TTEECOMIN)

Freezer base with 2 drawers, -15-20°C, automatic evaporation of defrost condense - R290

Short Form Specification

Item No. _____

Freezer base with 2 drawers. Built-in refrigerator compressor unit. Operating temperature range from -15°C to -20°C. To be installed below 700XP top units. To be delivered with 50 mm height adjustable feet. Exterior panels in stainless steel with Scotch Brite finish. One piece pressed work top in 1.5 mm thick stainless steel. Right-angled side edges to allow flush-fitting junction between units.

APPROVAL: _____

Main Features

- Unit can be easily installed below other 700 line top models.
- Unit delivered with 50 mm height adjustable feet in Stainless steel.
- Forced air circulation for rapid cooling and an even temperature distribution.
- Right angled side edges eliminate gaps and possible dirt traps between units.
- Adjustable temperature range from -15 °C to -22 ° C to suit meat, fish and dairy storage requirements.
- Defrosting and automatic evaporation of condense drain: the condense is automatically evaporated thanks to the electric resistance in the condense drain container.
- GN compliant.
- Designed for modular installation into the cooking block.
- CFC and HCFC free (highly ecological refrigerant type: R290).

Construction

- Constructed in Stainless steel with Scotch Brite finish to meet the highest hygiene standards.
- Built-in compressor to suit operating conditions.
- Access to all components from the front.

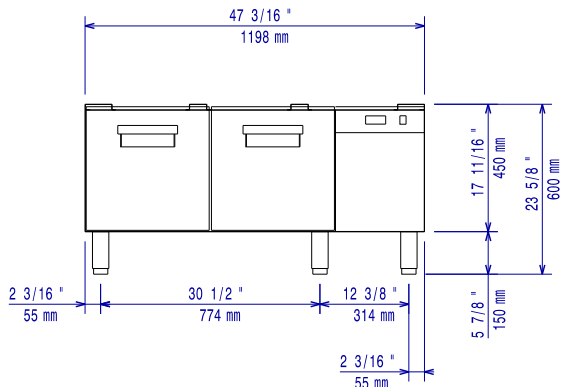
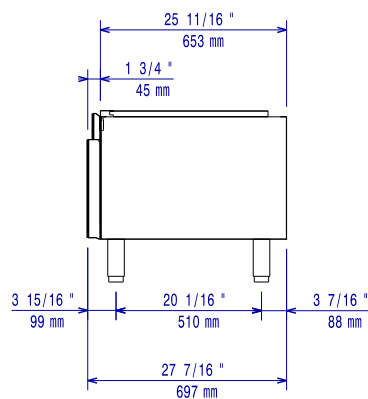
Optional Accessories

- Flanged feet kit PNC 206136
- Frontal kicking strip for concrete installation, 1200mm PNC 206151
- Frontal kicking strip for concrete installation, 1600mm PNC 206152
- Frontal kicking strip, 1200mm (not for refr-freezer base) PNC 206178
- Frontal kicking strip, 1600mm (not for refr-freezer base) PNC 206179
- Kit 4 feet for concrete installation (not for 900 line free standing grill) PNC 206210
- 2 panels for service duct for single "top on base" installation PNC 206248
- Pair of side kicking strips PNC 206249
- Pair of side kicking strips for concrete installation PNC 206265
- Base support for feet or wheels - 1200mm (700/900) PNC 206368
- Base support for feet or wheels - 1600mm (700/900) PNC 206369
- Rear paneling - 1200mm (700/900) PNC 206376
- Kit 6 wheels - 3 swivelling with brake PNC 206432
- 2 side covering panels for free standing appliances PNC 216000

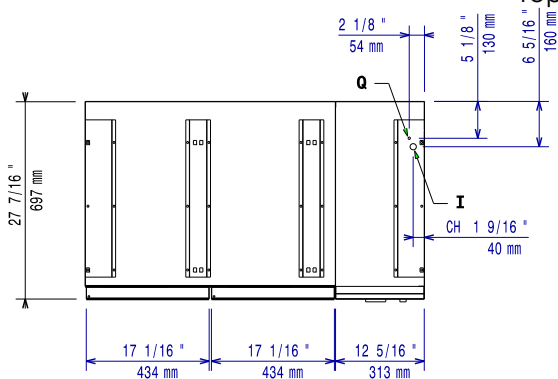


Experience the Excellence
www.electroluxprofessional.com

Modular Cooking Range Line
700XP 2 Drawer Freezer Base

Front

Side


D = Drain
 EI = Electrical inlet (power)

Top


Electric

Supply voltage:	371294 (E7TTECOMIN)	220-230 V/1N ph/50 Hz
Electrical power max.:		0.5 kW
Total Watts:		0.5 kW

Key Information:

Gross capacity:	152 lt
External dimensions, Width:	1200 mm
External dimensions, Height:	600 mm
External dimensions, Depth:	700 mm
Net weight:	95 kg
Shipping weight:	108 kg
Shipping height:	780 mm
Shipping width:	850 mm
Shipping depth:	1300 mm
Shipping volume:	0.86 m ³

Refrigeration Data

Refrigerant type:	R290
Refrigerant weight:	90 g