

## Modular Cooking Range Line 700XP 2 Door Refrigerated Base

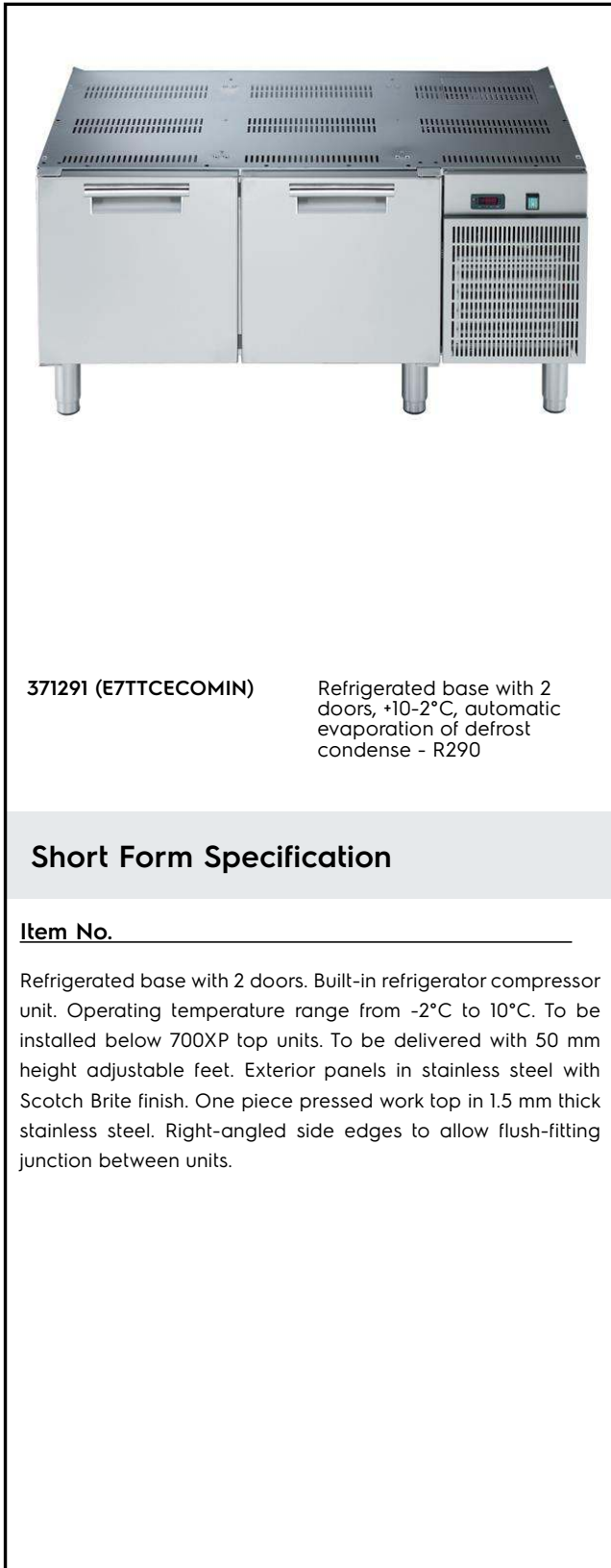
ITEM # \_\_\_\_\_

MODEL # \_\_\_\_\_

NAME # \_\_\_\_\_

SIS # \_\_\_\_\_

AIA # \_\_\_\_\_


**371291 (E7TTCECOMIN)**

Refrigerated base with 2 doors, +10-2°C, automatic evaporation of defrost condense - R290

### Short Form Specification

**Item No.** \_\_\_\_\_

Refrigerated base with 2 doors. Built-in refrigerator compressor unit. Operating temperature range from -2°C to 10°C. To be installed below 700XP top units. To be delivered with 50 mm height adjustable feet. Exterior panels in stainless steel with Scotch Brite finish. One piece pressed work top in 1.5 mm thick stainless steel. Right-angled side edges to allow flush-fitting junction between units.

### Main Features

- Unit can be easily installed below other 700 line top models.
- Unit delivered with 50 mm height adjustable feet in Stainless steel.
- Adjustable temperature range from -2 °C to +10 ° C to suit meat, fish and dairy storage requirements.
- Anti-tilt runners accept GN 1/1 containers.
- Forced air circulation for rapid cooling and an even temperature distribution.
- Right angled side edges eliminate gaps and possible dirt traps between units.
- Defrosting and automatic evaporation of condense drain: the condense is automatically evaporated thanks to the electric resistance in the condense drain container.
- Designed for modular installation into the cooking block.
- CFC and HCFC free (highly ecological refrigerant type: R290).

### Construction

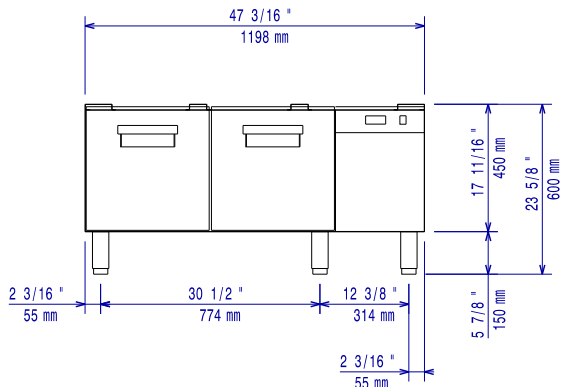
- All exterior panels in Stainless Steel with Scotch Brite finishing.
- Built-in compressor to suit operating conditions.
- Access to all components from the front.

### Optional Accessories

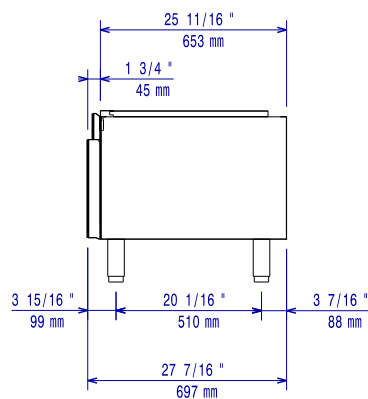
- Flanged feet kit  PNC 206136
- Frontal kicking strip for concrete installation, 1600mm  PNC 206152
- Frontal kicking strip, 1200mm (not for refr-freezer base)  PNC 206178
- Frontal kicking strip, 1600mm (not for refr-freezer base)  PNC 206179
- Kit 4 feet for concrete installation (not for 900 line free standing grill)  PNC 206210
- 2 panels for service duct for single "top on base" installation  PNC 206248
- Pair of side kicking strips  PNC 206249
- Pair of side kicking strips for concrete installation  PNC 206265
- 2 drawers for refrigerated base  PNC 206351
- Base support for feet or wheels - 1200mm (700/900)  PNC 206368
- Rear paneling - 1200mm (700/900)  PNC 206376
- Kit 6 wheels - 3 swivelling with brake  PNC 206432
- 2 side covering panels for free standing appliances  PNC 216000

**APPROVAL:** \_\_\_\_\_

Front

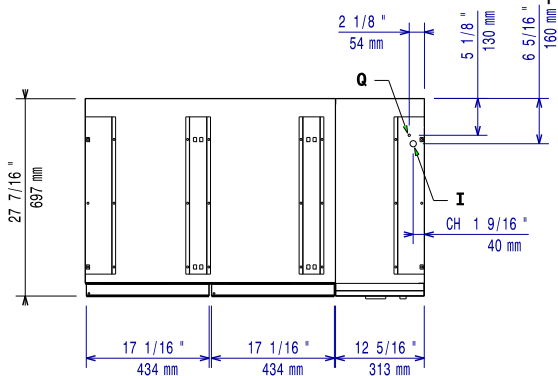


Side



D = Drain  
 EI = Electrical inlet (power)

Top



## Electric

Supply voltage:	371291 (E7TTCECOMIN)	220-230 V/1N ph/50 Hz
Electrical power max.:		0.4 kW
Total Watts:		0.4 kW

## Key Information:

Gross capacity:	152 lt
External dimensions, Width:	1200 mm
External dimensions, Height:	600 mm
External dimensions, Depth:	700 mm
Net weight:	95 kg
Shipping weight:	94 kg
Shipping height:	780 mm
Shipping width:	850 mm
Shipping depth:	1300 mm
Shipping volume:	0.86 m <sup>3</sup>

## Refrigeration Data

Refrigerant type:	R290
Refrigerant weight:	85 g