



## Modular Cooking Range Line 700XP Closed Base Cupboard 1/4 Module

ITEM # \_\_\_\_\_

MODEL # \_\_\_\_\_

NAME # \_\_\_\_\_

SIS # \_\_\_\_\_

AIA # \_\_\_\_\_



371210 (E7BANB00C0)

Open base cupboard, 1+1/2 module

### Main Features

- Unit can be easily installed below other 700 line top models.
- Unit delivered with 50 mm height adjustable feet in Stainless steel.
- Doors with handles, drawers, heating kits and runners for GN containers can be ordered separately.
- Base compartment for storage of pots, pans, sheet pans, etc.

### Construction

- Constructed in Stainless steel with Scotch Brite finish to meet the highest hygiene standards.

### Optional Accessories

- Kit 4 wheels - 2 swivelling with brake - it is mandatory to install Base support and wheels PNC 206135
- Flanged feet kit PNC 206136
- Frontal kicking strip for concrete installation, 200mm PNC 206146
- Frontal kicking strip for concrete installation, 400mm PNC 206147
- Frontal kicking strip for concrete installation, 800mm PNC 206148
- Frontal kicking strip for concrete installation, 1000mm PNC 206150
- Frontal kicking strip for concrete installation, 1200mm PNC 206151
- Frontal kicking strip for concrete installation, 1600mm PNC 206152
- Frontal kicking strip, 200mm (not for refr-freezer base) PNC 206174
- Frontal kicking strip, 400mm (not for refr-freezer base) PNC 206175
- Frontal kicking strip, 800mm (not for refr-freezer base) PNC 206176
- Frontal kicking strip, 1000mm (not for refr-freezer base) PNC 206177
- Frontal kicking strip, 1200mm (not for refr-freezer base) PNC 206178
- Frontal kicking strip, 1600mm (not for refr-freezer base) PNC 206179
- Kit 4 feet for concrete installation (not for 900 line free standing grill) PNC 206210
- 2 panels for service duct for single "top on base" installation PNC 206248
- Pair of side kicking strips PNC 206249
- Pair of side kicking strips for concrete installation PNC 206265

APPROVAL: \_\_\_\_\_

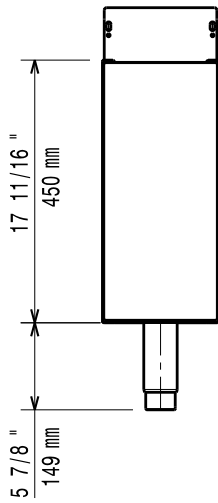


Experience the Excellence  
www.electroluxprofessional.com

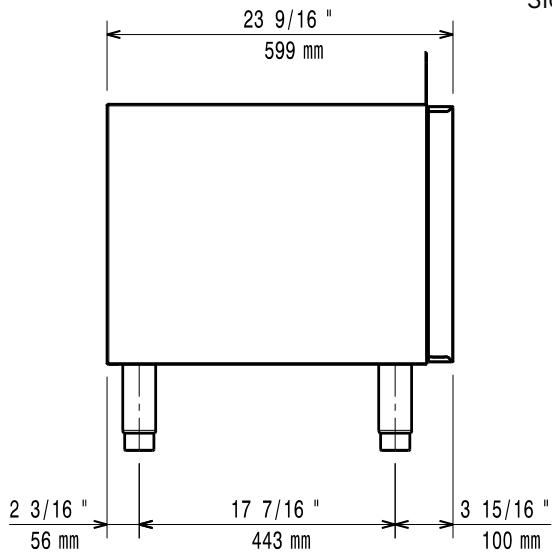
Modular Cooking Range Line  
700XP Closed Base Cupboard 1/4 Module

- 2 side covering panels PNC 206319
- Base support for feet or wheels - 800mm (700/900) PNC 206367
- Base support for feet or wheels - 1200mm (700/900) PNC 206368
- Base support for feet or wheels - 1600mm (700/900) PNC 206369
- Rear paneling - 600mm (700/900XP) PNC 206373
- Rear paneling - 800mm (700/900) PNC 206374
- Rear paneling - 1000mm (700/900) PNC 206375
- Rear paneling - 1200mm (700/900) PNC 206376
- Base support for feet/wheels (600mm) PNC 206431
- 2 side covering panels for free standing appliances PNC 216000

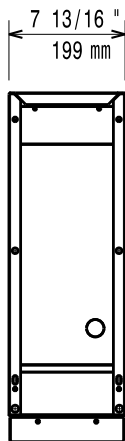
Front



Side



Top


**Key Information:**

External dimensions, Width:	
371210 (E7BANB00C0)	200 mm
External dimensions, Height:	600 mm
External dimensions, Depth:	550 mm
Net weight:	15 lbs (7 kg)