

EMPower 36" Scratch Resistant Chrome Smooth Gas Griddle Top with Piezo Ignition

ITEM # _____

MODEL # _____

NAME # _____

SIS # _____

AIA # _____


169226 (ARG36FLCEPN)

EM Series Restaurant Range griddle, gas, 36" wide, smooth Scratch Resistant NitroChrome3 surface with 4" adjustable, removable legs 78,000 BTU

Main Features

- Three individually controlled high efficiency 7,6 kW burners.
- Stainless steel grease trough, one piece rolled front.
- Two large 3.8 lt removable grease collector drawers.
- Insulated cooktop to conserve energy.
- Flame failure device to protect against accidental extinguishing of the flame.
- All major compartments located in front of unit for ease of maintenance.
- Front, side and rear panels in Stainless Steel with Scotch Brite finish.
- Right-angled side edges to allow flush fitting joints between units, eliminating gaps and possible dirt traps.
- Kit for installation of top units to neutral bases and cupboards provided as standard.
- Included accessories: propane converter kit, pressure regulator.
- Piezo ignition of each burner.
- Height adjustable feet.
- Snap-action switch thermostat with a probe embedded into the cooking plate for faster recovery and more accurate temperature control.
- Scratch resistant cooking surface thanks to a special treatment of the chromium plate.
- Easy to clean and corrosion resistant chromium surface.

Construction

- 4 screws to install on the cupboard base are supplied with the unit.
- Gas pressure regulator is supplied with the unit.
- Cooking surface 25mm thick coated steel for optimum grilling results and ease of use.

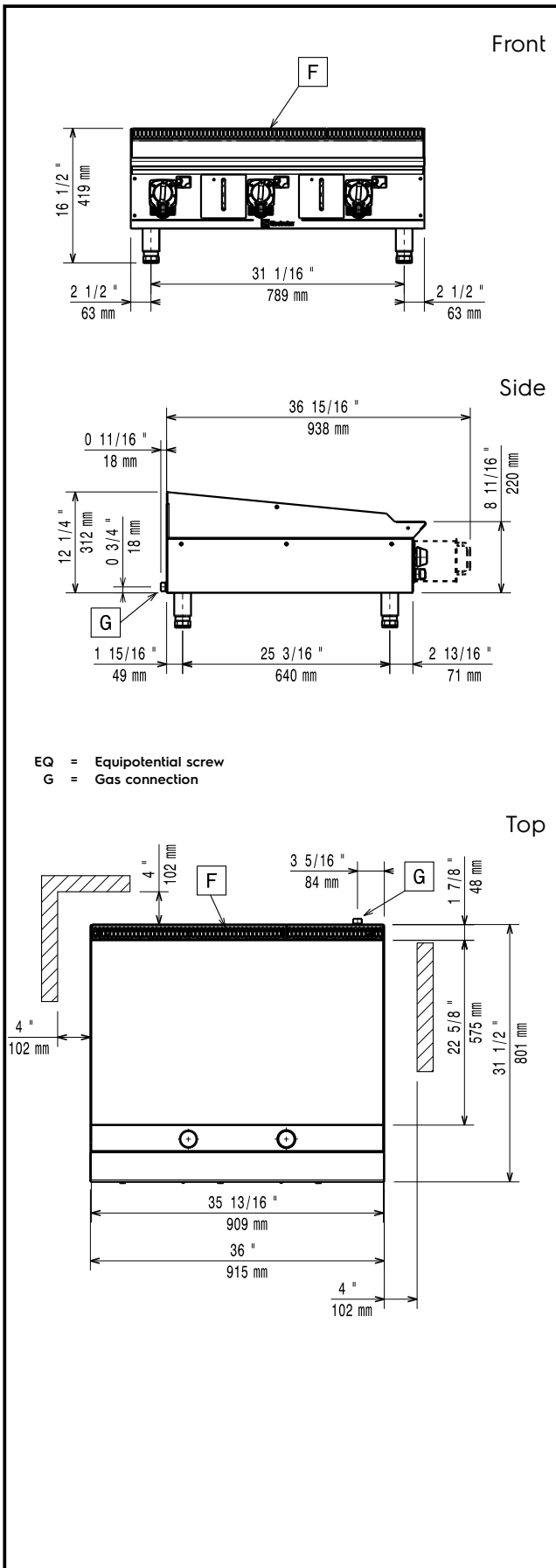
Included Accessories

- 1 of Scraper for smooth plate fry tops PNC 164255

Optional Accessories

- Scraper for smooth plate fry tops PNC 164255
- 4 pins to fix Top to refrigerated/ Open Base PNC 169048
- Backshelf to wall installation 36" Units PNC 169099
- Portioning shelf 12" PNC 169173
- Portioning shelf 16" PNC 169174
- Portioning shelf 24" PNC 169175
- Portioning shelf 36" PNC 169176
- Cloche for fry tops PNC 206455

APPROVAL: _____



Gas

Gas Power:	169226 (ARG36FLCEPN)	78000 Btu/hr (22.8 kW)
Gas Power:		19.5 kW
Standard gas delivery:		Natural Gas
Gas Type Option:		;Propane
Natural gas - Pressure:		4"w.c. (10 mbar)
Propane Gas Pressure:		7,2" w.c. (18 mbar)

Key Information:

External dimensions, Width:	915 mm
External dimensions, Depth:	800 mm
External dimensions, Height:	419 mm
Net weight:	148 kg

If appliance is set up or next to or against temperature sensitive furniture or similar, a safety gap of approximately 150 mm should be maintained or some form of heat insulation fitted.