

EMPower Ribbed Scratch Resistant Chrome Gas Griddle Top 12" (AGA)

ITEM # _____

MODEL # _____

NAME # _____

SIS # _____

AIA # _____


169221 (ARG12FRCEN)

EMPower Range Griddle, gas, 12" wide, ribbed Scratch Resistant NitroChrome3 surface with 4" adjustable, removable legs) - AGA - Australia

Short Form Specification

Item No. _____

Unit to be Electrolux EMPower Ribbed Scratch Resistant Chromium Gas Griddle Top with single high efficiency 26,000 BTU (7,6 kW) burner. Suitable for natural gas or propane gas. Thick 1" (25 mm) highly polished griddle plate maintains selected temperatures and assures quick recovery. Stainless steel grease trough, one piece rolled front. Single removable grease collector drawer. Insulated cooktop to conserve energy. Front, side and top panels of unit in Stainless steel with Scotch Brite finish. Unit has right-angled side edges to allow flush-fitting junction between units.

In North America, products are covered by Electrolux Platinum Star® Service Program two-year parts and one-year labor warranty, installation start-up and performance check-up after one year from installation.

Main Features

- In compliance with ETL Certification (UL & NSF).
- Thick 25 mm (1") griddle plate maintains selected temperatures and assures quick recovery.
- Single high efficiency 7,6 kW burner.
- Stainless steel grease trough, one piece rolled front.
- Single removable grease collector drawer.
- Insulated cooktop to conserve energy.
- Flame failure device to protect against accidental extinguishing of the flame.
- All major compartments located in front of unit for ease of maintenance.
- Front, side and rear panels in Stainless Steel with Scotch Brite finish.
- Right-angled side edges to allow flush fitting joints between units, eliminating gaps and possible dirt traps.
- Kit for installation of top units to neutral bases and cupboards provided as standard.
- Included accessories: propane converter kit, pressure regulator.
- Scratch resistant cooking surface thanks to a special treatment of the chromium plate.
- Easy to clean and corrosion resistant chromium surface.

Construction

- 4 screws to install on the cupboard base are supplied with the unit.
- Gas pressure regulator is supplied with the unit.
- Cooking surface in scratch resistant chromium-plated steel with non-stick finishing for optimum grilling results.
- Cooking surface 25mm thick coated steel for optimum grilling results and ease of use.

Included Accessories

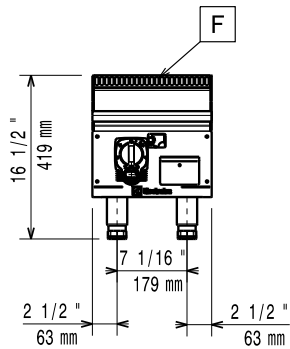
- 1 of Scraper for ribbed plate fry tops PNC 206420 - kit includes knife blades for both smooth and ribbed surface

Optional Accessories

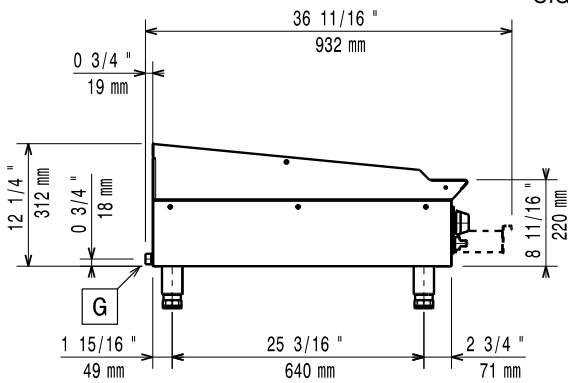
- Scraper for smooth plate fry tops PNC 164255
- 4 pins to fix Top to refrigerated/ PNC 169048
 Open Base
- Backshelf to wall installation 12 PNC 169096
 " Units
- Portioning shelf 12" PNC 169173
- Scraper for ribbed plate fry tops - PNC 206420
 kit includes knife blades for both
 smooth and ribbed surface

APPROVAL: _____

Front

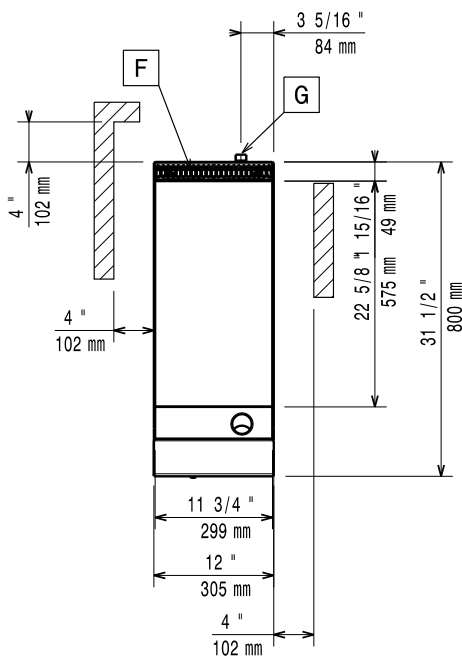


Side



EQ = Equipotential screw
 G = Gas connection

Top



Gas

Gas Power:	
169221 (ARG12FRCEN)	26000 Btu/hr (7.6 kW)
Gas Inlet:	3/4"

Key Information:

External dimensions, Width:	12 1/64" (305 mm)
External dimensions, Depth:	31 1/2" (800 mm)
External dimensions, Height:	16 1/2" (419 mm)
Net weight:	82 lbs (37 kg)
Shipping width:	35 7/16" (900 mm)
Shipping depth:	14" (355 mm)
Shipping height:	25 1/2" (648 mm)
Shipping weight:	93 lbs (42 kg)
Shipping volume:	7.31 ft ³ (0.21 m ³)

*Recommended rear clearance of 102 mm.