

EMPower Smooth Scratch Resistant Chrome Gas Griddle Top 48" (AGA)

ITEM # _____

MODEL # _____

NAME # _____

SIS # _____

AIA # _____


169220 (ARG48FLCEN)

EM Series Restaurant Range griddle, gas, 48" wide, smooth Scratch Resistant NitroChrome3 surface with 4" adjustable, removable legs - AGA - Australia

Short Form Specification

Item No.

Unit to be Electrolux Smooth Scratch Resistant Chromium Gas Griddle Top with four high efficiency 26,000 BTU (7,6 kW) burners. Suitable for natural gas or propane gas. Thick 1" (25 mm) griddle plate maintains selected temperatures and assures quick recovery. Scratch resistant chromium-plated 3,2" (81,5 mm) wide drainage channel running on full length of cooking surface. Two large grease drainage holes diameter 2,4" (60mm). Two half gal. (2 l) grease collector drawer with hole to indicate when full, capture all excess grease and oil and can be extracted for easy dumping and cleaning. Worktop in AISI 304 Stainless Steel. 3mm stainless steel splashback. Front and side panels in Stainless Steel with Scotch Brite finish. All major components can be accessed from front of the appliance for ease of maintenance. Special heavy duty chrome plated knobs for durability and easy cleaning. The configuration of bezels and knobs provides high level of protection against water infiltrations. Right-angled side edges to allow flush fitting joints between units. Supplied with 4" (102mm) height adjustable, removable legs. Unit may be installed on refrigerated base or open cupboard.

Main Features

- In compliance with ETL Certification (UL & NSF).
- Thick 25 mm (1") griddle plate maintains selected temperatures and assures quick recovery.
- Four high efficiency 7,6 kW burners.
- Suitable for natural gas or propane gas.
- Flame failure device to protect against accidental extinguishing of the flame.
- 81,5 mm wide drainage channel running on full length of cooking surface.
- Two large grease drainage holes diameter 60mm.
- Two full length, 2 l grease collector drawers with hole to indicate when full, captures all excess grease and oil and can be extracted for easy dumping and cleaning.
- 3mm stainless steel splashback.
- Front and side panels in Stainless Steel with Scotch Brite finish.
- All major compartments located in front of unit for ease of maintenance.
- Special heavy duty chrome plated knobs for durability and easy cleaning.
- The configuration of bezels and knobs provides high level of protection against water infiltrations.
- Right-angled side edges to allow flush fitting joints between units, eliminating gaps and possible dirt traps.
- Provided with kit for side-by-side connection between units for minimizing gaps and possible dirt traps.
- Supplied with 102 mm height adjustable, removable legs.
- Unit may be installed on refrigerated base by removing the legs and inserting the special pins (optional accessory).
- Unit may be installed on open cupboard by removing the legs and inserting the screws provided as standard with the open cupboards.
- Included accessories: propane converter kit, pressure regulator and main shut off valve.
- Scratch resistant cooking surface thanks to a special treatment of the chromium plate.
- Easy to clean and corrosion resistant chromium surface.

Construction

- 4 screws to install on the cupboard base are supplied with the unit.
- Gas pressure regulator is supplied with the unit.
- Worktop in 304 AISI stainless steel.
- Cooking surface in scratch resistant chromium-plated steel with non-stick finishing for optimum grilling results.
- Cooking surface 25mm thick coated steel for optimum grilling results and ease of use.

Included Accessories

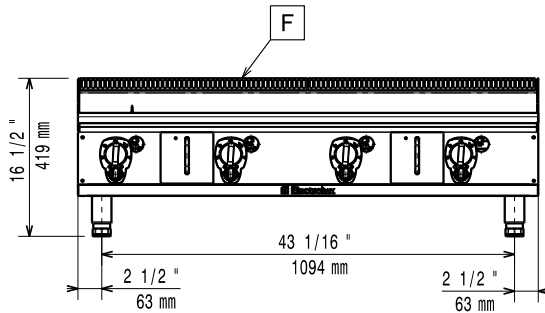
- 1 of Scraper for smooth plate fry PNC 164255 tops

APPROVAL: _____

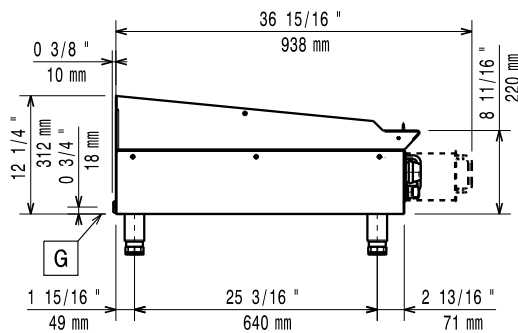
Optional Accessories

- Scraper for smooth plate fry tops PNC 164255
- 4 pins to fix Top to refrigerated/Open Base PNC 169048
- Extension gas pipe to floor for 48" griddle PNC 169049
- Backshelf to wall installation 48" Units PNC 169100
- Portioning shelf 12" PNC 169173
- Portioning shelf 16" PNC 169174
- Portioning shelf 24" PNC 169175
- Portioning shelf 36" PNC 169176
- Portioning shelf 48" PNC 169177

Front

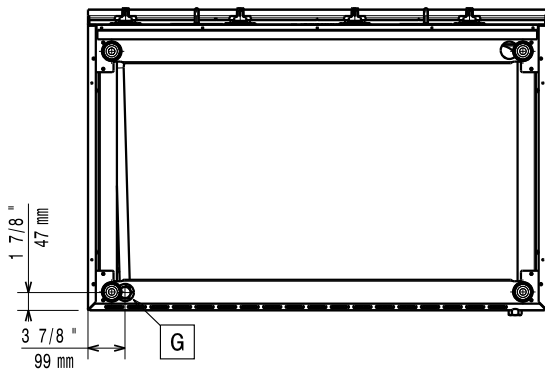


Side



EQ = Equipotential screw
 G = Gas connection

Top



Gas

Gas Power:
 169220 (ARG48FLCEN) 104000 Btu/hr (30.4 kW)
 Gas Inlet: 3/4"

Key Information:

External dimensions, Width: 48 1/32" (1220 mm)
 External dimensions, Depth: 31 1/2" (800 mm)
 External dimensions, Height: 16 1/2" (419 mm)
 Net weight: 313 lbs (142 kg)
 Shipping width: 35 7/16" (900 mm)
 Shipping depth: 50" (1270 mm)
 Shipping height: 27 1/16" (688 mm)
 Shipping weight: 348 lbs (158 kg)
 Shipping volume: 27.77 ft³ (0.79 m³)

*The rear and side clearances shown on the diagram indicate the minimum distances recommended from the appliance to combustible surfaces.