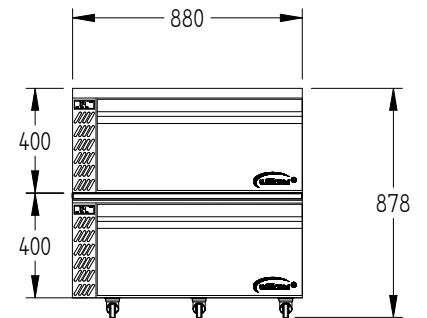
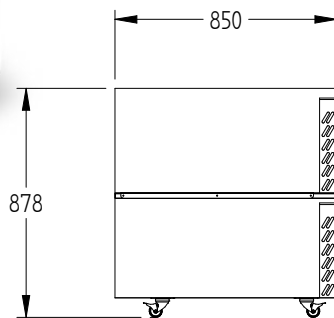
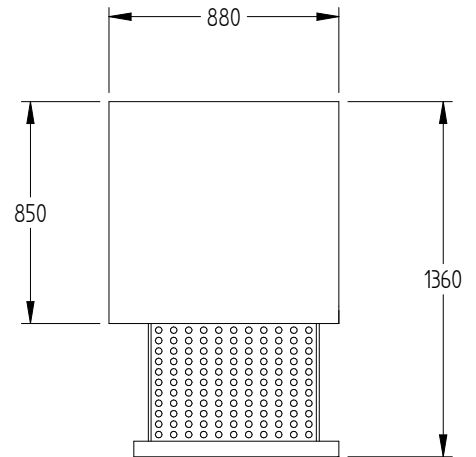


VRWCD1S



CATEGORY	HYDROCARBON
RANGE	Varitemp Drawer
UNIT	REFRIGERATOR/FREEZER
TYPE	SELF CONTAINED
DRAWERS	1



SPECIFICATIONS

CAPACITY 1/1 GN PAN (150 MM DEEP)	4
TEMPERATURE - VARIABLE	1°C / -22°C
DIMENSIONS - W X D X H (ON CASTORS) MM	1000 W x 670 D x 878 H
WEIGHT UNPACKED (KG)	400

STANDARD INCLUSIONS

DRAWERS	2
FINISH (INTERIOR AND EXTERIOR EXCLUDING REAR AND UNDER)	SS (Stainless Steel)

GAS TYPE

REFRIGERANT	R290
-------------	------

ELECTRICAL

POWER SUPPLY	10 amp x 2
POWER CABLE LENGTH (METRES)	2
RUNNING AMPS PER UNIT	1.48

PERFORMANCE

KWH/24HR READING - PER UNIT	1.8
TEST STANDARD	EN 16825 (Professional)
TEST CONDITIONS	4 M1
AMBIENT RATING	43°C