

CS 1200mm Griddles

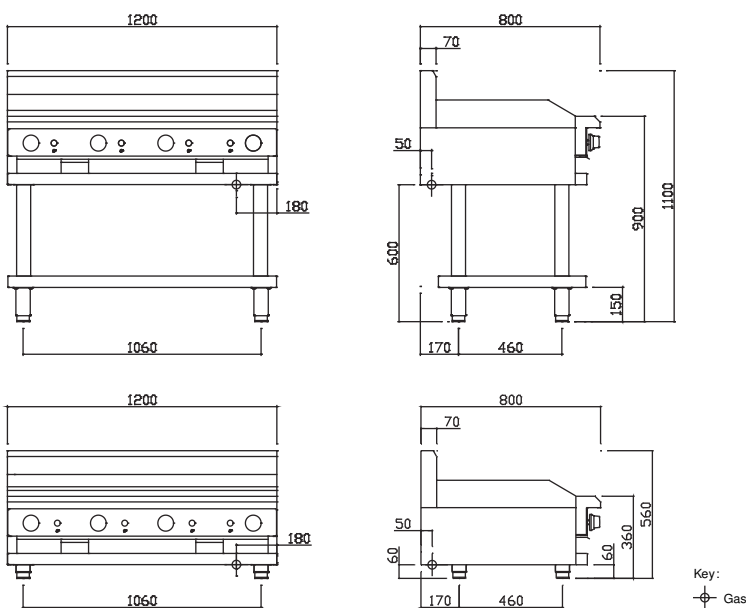


Technical Specifications for CS-12P, CS-9P3C, CS-6P6C



PROFESSIONAL

- 21mm thick mild steel griddle plate
- Chrome and ribbed plate finishes optional
- Hotplate and chargrill combinations
- Available freestanding or as a benchtop model
- Modular Professional series design
- 24 month 'Platinum Warranty'
- Easy to clean and service



Griddle/Hotplate

- 18 mj burners with pilot, FFD and piezo ignition
- Variable flame control valve with low flame setting
- 21mm thick mild steel griddle plate
- Top weld sealed hotplate sections
- CS-12P plate: 1190mm x 540mm; 0.64m² cooking area
- CS-9P3C plate: 890mm x 540mm; 0.48m² cooking area
- CS-6P6C plate: 590mm x 540mm; 0.32m² cooking area
- 2mm 304 stainless steel splash guards
- Griddle oil bin 1.2mm stainless steel

Chargrill/Barbecue

- 33 mj burners with pilot, FFD and piezo ignition
- Variable flame control valve with low flame setting
- Two piece burner with cast-iron heat distributing hood
- Optional ceramic rocks for even heat and smokiness
- Optional cast iron ceramic rock tray
- Heavy duty cast iron 'diamond' grates 147mm x 540mm
- CS-9P3C bbq: 280mm x 520mm; 0.15m² cooking area
- CS-6P6C bbq: 580mm x 520mm; 0.30m² cooking area
- 2mm 304 stainless steel splash guards
- Chargrill undertray 0.9mm stainless steel

Overall Construction

- Heavy duty construction
- Welded 1.2mm 304 stainless steel front hob
- Front and side panels 0.9mm 304 stainless steel
- Splashback 1.2mm 304 stainless steel
- Stainless steel legs with 55mm height adjustment range

Dimensions

- 1200mm x 800mm x 1100mm H
- 1200mm x 800mm x 560mm H (benchtop)
- Working height 900mm
- Weight 146kg
- Packed dimensions 1240mm x 860mm x 1260mm H
- Packed weight 176kg

Connections




- Gas 3/4" BSP male
- 180mm from right, 50mm from rear, 600mm from floor
- Benchtop model gas connection: 60mm from bottom
- Supplied with gas regulator (specify Nat or LP on order)

Cleaning & Servicing

- Easy access to all parts & components from front

Options/Accessories

- Rear castors
- Joining caps
- Ribbed or chrome finish on hotplates
- RH and LH side shields
- Ceramic rocks (specify when ordering)
- Benchtop mount (specify when ordering)

| Model | Description | Nat Gas | LP Gas |
|---|--------------------|---------|--------|
|  CS-12P | 1200 grill | 72 mj | 72 mj |
|  CS-9P3C | 900 grill, 300 bbq | 87 mj | 87 mj |
|  CS-6P6C | 600 grill, 600 bbq | 102 mj | 102 mj |

