

CS 1200mm Chargrills

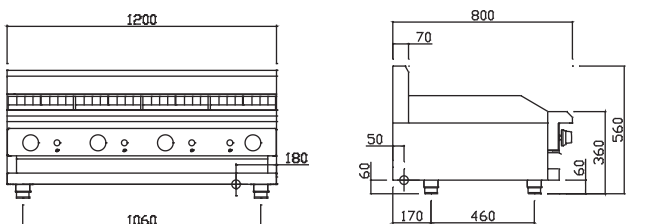
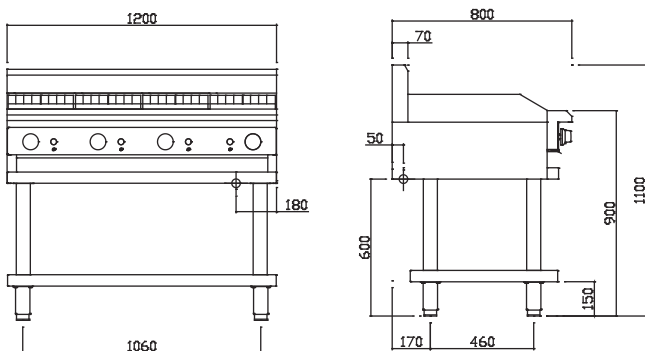


Technical Specifications for CS-12C



PROFESSIONAL

- S/S burners with cast iron radiant hood
- Optional ceramic rock configuration
- 33mj output per 300mm module
- Cast iron 'diamond' grates 147mm x 540mm
- Available freestanding or as a benchtop model
- Modular Professional series design
- 24 month 'Platinum Warranty'
- Easy to clean and service



Key:
 Gas

Chargrill/Barbecue

- 33 mj S/S tube burners with pilot, FFD and piezo ignition
- Variable flame control valve with low flame setting
- Cast-iron heat distributing hood as standard
- Optional ceramic rocks for even heat and smokiness
- Optional cast iron ceramic rock tray
- Heavy duty cast iron 'diamond' grates 147mm x 540mm
- CS-12C bbq: 1180mm x 520mm; 0.61m² cooking area
- 2mm 304 stainless steel splash guards
- Chargrill undertray 0.9mm stainless steel

Overall Construction

- Heavy duty construction
- Welded 1.2mm 304 stainless steel front hob
- Front and side panels 0.9mm 304 stainless steel
- Splashback 1.2 mm 304 stainless steel
- Stainless steel legs with 55mm height adjustment range

Dimensions

- 1200mm x 800mm x 1100mm H
- 1200mm x 800mm x 560mm H (benchtop)
- Working height 900mm
- Weight 177kg
- Packed dimensions 1240mm x 860mm x 1260mm H
- Packed weight 207kg

Connections

- Gas 3/4" BSP male
- 180mm from right, 50mm from rear, 600mm from floor
- Benchtop model gas connection: 60mm from bottom
- Supplied with gas regulator (specify Nat or LP on order)

Cleaning & Servicing

- Easy access to all parts & components from front

Options/Accessories

- Rear castors
- Joining caps
- Scallop low-contact grates
- J-shaped reversible grates
- RH and LH side shields
- Ceramic rocks (specify when ordering)
- Benchtop mount (specify when ordering)

	Model	Description	Nat Gas	LP Gas
	CS-12C	1200 char	132 mj	132 mj

