

Bun Conveyor Oven W.CVT.BUN.25

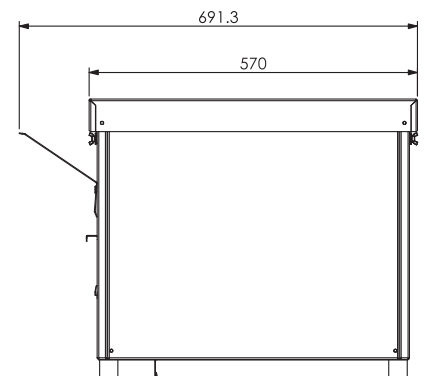
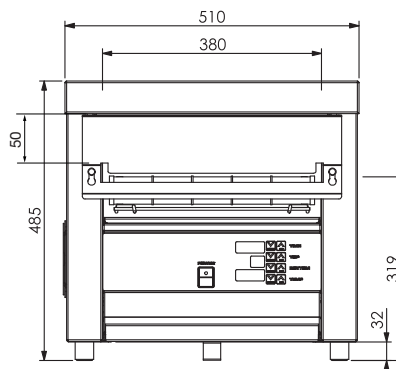
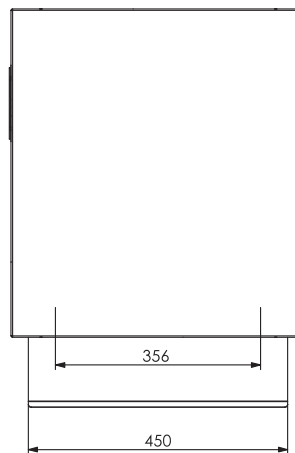


Product Information:

- Front loading & front exiting machine
- Long life metal elements for continuous use
- 6kW (25 Amps) of power for more throughput
- Touchpad “set and forget” control system
- Variable speed belt control as well as chamber temperature control
- Variable top and bottom independent temperature controls
- Stainless steel construction
- Supplied with 2 metre lead for appropriate hard wiring on site by a qualified electrician. Optional factory fitted plug is available (W.CVS.PL32)
- Capacity of up to 250 buns per hour*

Specifications:

Model	W.CVT.BUN.25
Height	485mm
Width	570mm
Depth	510mm
Belt Width	356mm
Power	6kW
	25A
	2m lead fitted



*results may differ due to bread types
Due to continuous product research and development,
the information contained herein is subject to change without notice.

Revision: D - 25/05/2022 - 01

www.stoddart.com.au

www.stoddart.co.nz