

## Snackmaster Small Conveyor Oven W.CVS.S.10 / W.CVS.S.15



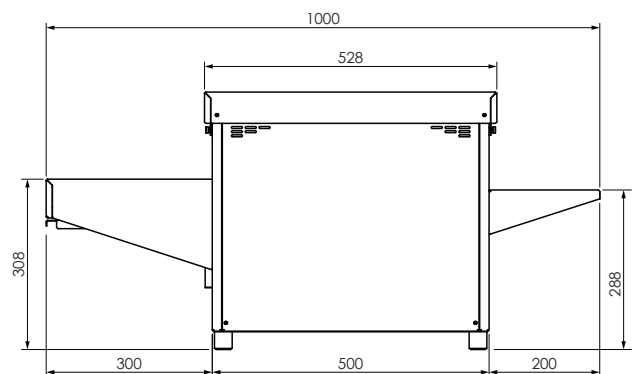
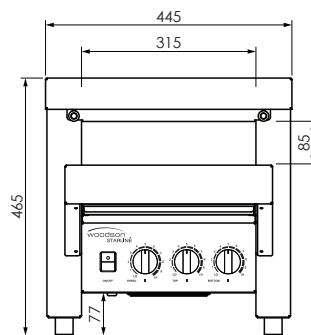
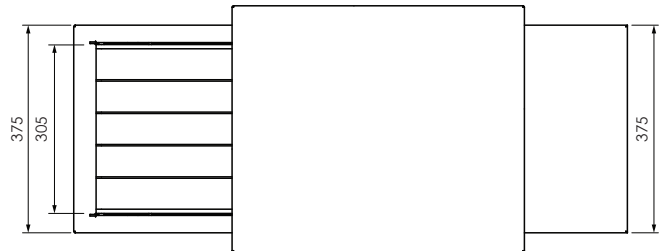
### Product Information:

- 305mm belt width conveyor oven, ideal for toasting/cooking open snacks and a variety of other foods
- Long life metal elements for continuous use
- 300mm long cooking conveyor for easy loading
- Fan cooled controls and fan forced heat technology
- Fully insulated top and body retains heat inside where it should be
- Independent temperature controls for top and bottom elements
- Variable speed belt control with automatic tensioning
- Stainless steel construction

### Specifications:

**Model** W.CVS.S.10  
**Height** 465mm  
**Width** 1000mm  
**Depth** 445mm  
**Belt Width** 305mm  
**Power** 2.4kW  
 10A plug & lead fitted

**Model** W.CVS.S.15  
**Height** 465mm  
**Width** 1000mm  
**Depth** 445mm  
**Belt Width** 305mm  
**Power** 3.6kW  
 15A plug & lead fitted



Due to continuous product research and development, the information contained herein is subject to change without notice.

Revision: D - 25/05/2022 - 01

[www.stoddart.com.au](http://www.stoddart.com.au)

[www.stoddart.co.nz](http://www.stoddart.co.nz)