



Brema's flagship CB range offers self-contained ice machines for bench top, under bench or free-standing installation. These machines produce attractive, crystalline cubes weighing 13g which rapidly chill and enhance the appearance of any beverage.

The Brema CB249A is a bench top ice cube machine that produces 29kg of ice per 24 hours and has storage capacity of 9kg.

The CB range of self-contained ice cube machines is the perfect fit for cafes, restaurants, hotels, bars and nightclubs.

STANDARD FEATURES

- 29kg production per 24 hours
- 9kg storage capacity
- Produces crystalline 13g cubes
- Production rated at 21°C air and 15°C water
- Hospital grade stainless steel outer
- Fully insulated internal storage bin
- Disappearing insulated door
- Electromechanical operation
- Stainless steel spray arm

STANDARD ACCESSORIES

- Water inlet hose
- Drainage hose
- External water filter
- Pressure limiting valve
- Plastic ice scoop
- 5mm plastic feet (4)

DIMENSIONS

390W x 460D x 690*H mm (*add 5mm for foot)

Clearances: Rear: 100mm Sides: 100mm

POWER SUPPLY

240V 50Hz 10A single phase (plugged)

CONNECTIONS

3/4" Water inlet, 24mm Water outlet & Electrical connection

	W	H
Water inlet	111mm	175mm
Water outlet	49mm	130mm
Electrical connection	156mm	211mm

TECHNICAL DATA

Energy Consumption:	370W
Production 24h:	29kg
Storage Capacity:	9kg
Cooling System:	Air
Cube:	13g
Refrigerant:	R404A
Weight:	37kg
WaterMark:	Yes

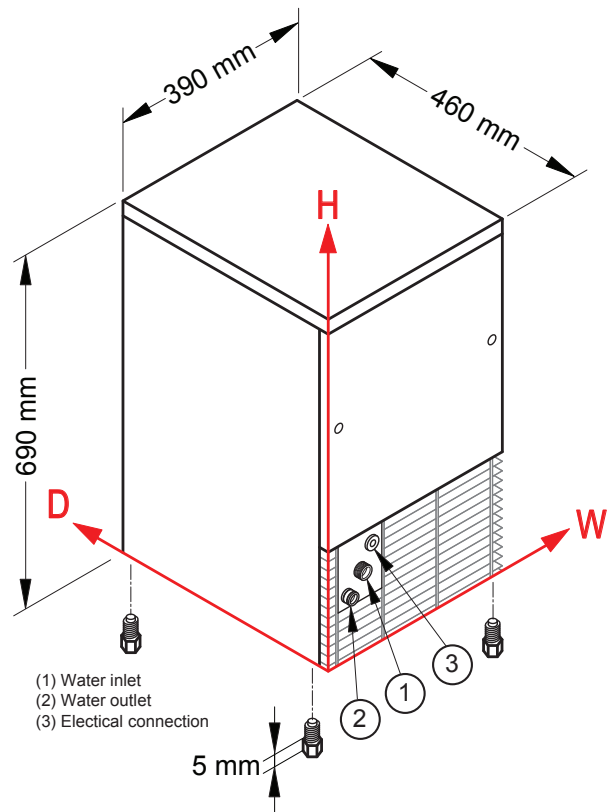
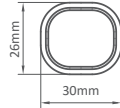
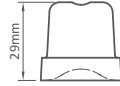
SPECIFICATIONS ARE SUBJECT TO CHANGE WITHOUT NOTICE.

CB249A

SELF-CONTAINED ICE CUBE MACHINE



13g Cubes



National Head Office
 156 Swann Drive
 Derrimut VIC 3030
 Tel: +61 3 8369 4600
 Fax: +61 3 8369 4699
www.comcater.com.au

Melbourne
 96-100 Tope Street
 South Melbourne VIC 3205
 Tel: +61 3 8369 4600
 Fax: +61 3 8699 1299

Sydney
 20/4 Avenue of the Americas
 Newington, NSW 2127
 Tel: +61 2 9748 3000
 Fax: +61 2 9648 4762

Brisbane
 1/62 Borthwick Avenue
 Murarrie QLD 4172
 Tel: +61 7 3399 3122
 Fax: +61 7 3399 5311

Perth
 Unit 16, 7 Abrams Street
 Balcatta, WA 6021
 Tel: +61 8 6217 0700
 Fax: +61 8 6217 0799