



BIN350

ICE STORAGE BIN

Stainless steel storage bin which sits underneath a range of Brema modular ice machine heads.

The BIN350 stores 350kg of ice and has an insulated polyethylene moulded tank to ensure long-lasting, quality ice.

When coupled with an ice cube or ice flake head, the BIN350 generously stores ice to meet peak demand times for a range of applications.

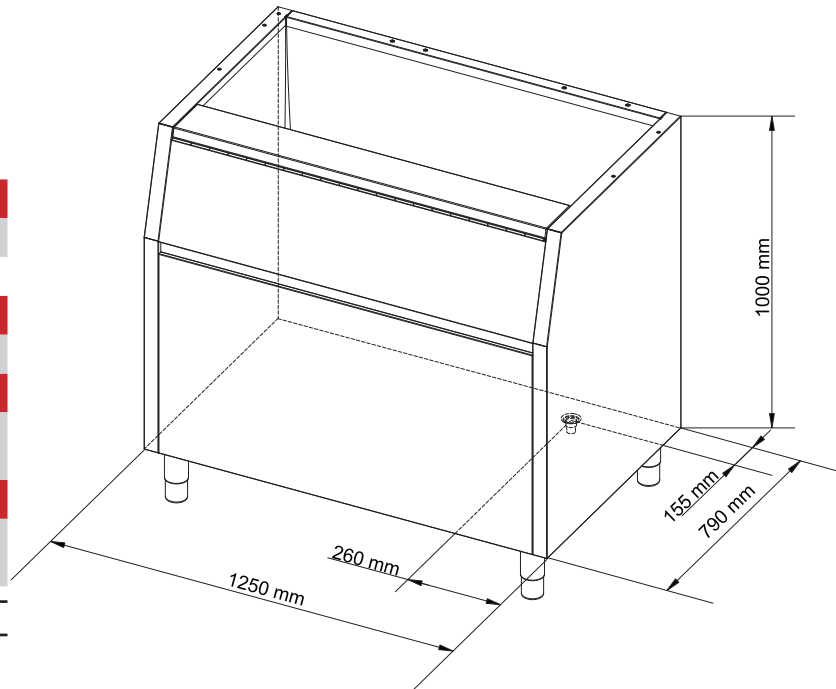
Can be coupled with: C150, C300, VM500/900/1700, TM250/450, G280/510, M350/600.

STANDARD FEATURES

- 350kg storage capacity
- Can be coupled with a range of Brema modular ice machine heads
- Stainless steel 18/8 construction
- Polyethylene moulded tank for insulation
- Piano-hinged door

STANDARD ACCESSORIES

- Drainage hose
- Adjustable stainless steel legs (4)
- Plastic ice scoop



DIMENSIONS

1250W x 790D x 1000*H mm *(add 100-160mm for adjustable legs)

Clearances: Rear: 100mm Sides: 100mm

CONNECTIONS

24mm Water outlet

TECHNICAL DATA

Storage Capacity: 350kg

Weight: 105kg

USABLE WITH MODULAR HEADS

C150, C300, VM500/900/1700, TM250/450, G280/510, G160, M350/600

SPECIFICATIONS ARE SUBJECT TO CHANGE WITHOUT NOTICE.



National Head Office
 156 Swann Drive
 Derrimut VIC 3030
 Tel: +61 3 8369 4600
 Fax: +61 3 8369 4699
www.comcater.com.au

Melbourne
 96-100 Tope Street
 South Melbourne VIC 3205
 Tel: +61 3 8369 4600
 Fax: +61 3 8699 1299

Sydney
 20/4 Avenue of the Americas
 Newington, NSW 2127
 Tel: +61 2 9748 3000
 Fax: +61 2 9648 4762

Brisbane
 1/62 Borthwick Avenue
 Murarrie QLD 4172
 Tel: +61 7 3399 3122
 Fax: +61 7 3399 5311

Perth
 Unit 16, 7 Abrams Street
 Balcatta, WA 6021
 Tel: +61 8 6217 0700
 Fax: +61 8 6217 0799