

The Australian owned and designed\* Trueheat RC Series of Gas Cooking Equipment has been developed for the restaurant and cafe market with a high quality finish, designed to fulfill the busy demands within a commercial kitchen.

Powerful 24MJ/hr open burners with individual standing pilots included. 100% Flame failure controls included as standard. Matt finish Euro look cast iron trivets radiate heat and design makes it easy to move pots around the surface.

16mm thick steel griddle plate with 16.5MJ/hr burner per 300mm section.

Note: Griddle is convertible to left hand side. Additional charges apply.

**DIMENSIONS & WEIGHT**

External Dimension: 900W x 803D x 455H mm

Net Weight: 109kg

Working height : 910mm (+/-15mm with stand)

Combustible wall clearance: Side: 150mm, Rear: 150mm

**TECHNICAL DATA**

Gas Type: Natural or Propane

|                      |             |             |
|----------------------|-------------|-------------|
| Total Output(MJ/hr): | Natural Gas | Propane Gas |
|                      | 81          | 81          |

|                         |             |             |               |
|-------------------------|-------------|-------------|---------------|
| Burner Ratings (MJ/hr): | Natural Gas | Propane Gas | Ignition Type |
| Open Burner (MJ/hr):    | 24          | 24          | Manual        |
| Griddle per 300mm:      | 16.5        | 16.5        | Piezo         |

Gas Connection: ¾" Female

AGA approval number: AGA 6652 G

**SHIPPING DATA**

Shipping Weight: 133kg

Shipping Dimensions: 980W x 900D x 600H mm

**OPTIONAL ACCESSORIES**

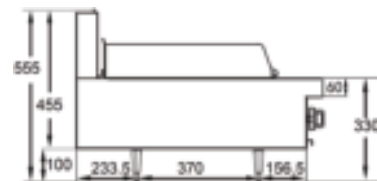
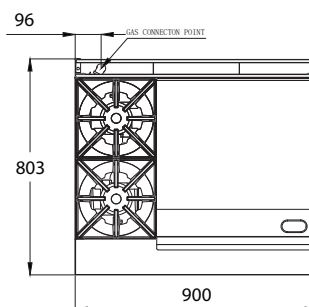
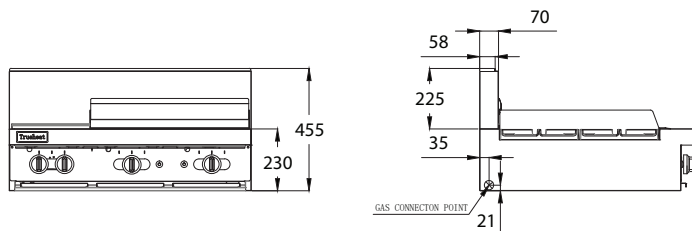
| Part Number:  | Description:   |
|---------------|--|
| RCSTD9        | 900mm Stand complete with shelf                                      |
| B05002        | Adjustable leg for RCT countertop mounting                           |
| S35086        | 4 legs, 2 brackets, 6 screws (complete set for table top mounting)   |
| MS-CSTRB      | Castor with brake to suit both 600mm and 900mm                       |
| MS-CSTR       | Castor without brake to suit both 600mm and 900mm                    |
| 432018-900HK  | 900mm ¾ flexible gas hose with quick connect fittings and restraint  |
| 432018-1200HK | 1200mm ¾ flexible gas hose with quick connect fittings and restraint |

SPECIFICATIONS ARE SUBJECT TO CHANGE WITHOUT NOTICE.

Note: Stands fitted with castors will need to be cut down by 120-150mm.



Stand sold separately



\*manufactured in China