

The Australian owned and designed\* Trueheat RC Series of Gas Cooking Equipment has been developed for the restaurant and cafe market with a high quality finish, designed to fulfill the busy demands within a commercial kitchen.

16mm thick steel griddle plate with 16.5MJ/hr burner per 300mm section. 100% Flame failure controls included as standard. Piezo ignition on enclosed oven burners. Matt finish premium look.

25MJ/hr static oven with two oven racks fit to removable vertical rack guides which provide 3 rack heights. Oven racks are fabricated from 304 stainless steel. Interior oven panels are coated with black vitreous enamel for ease of cleaning.

**DIMENSIONS & WEIGHT**

External Dimension: 900W x 830D x 1135H mm

Net Weight: 228kg

Working height : 910mm

Oven Interior : 660W x 540D x 320H mm

Combustible wall clearance: Side: 150mm, Rear: 150mm

**TECHNICAL DATA**

Gas Type: Natural or Propane

Total Output(MJ/hr):	Natural Gas	Propane Gas
	85.5	82.5

Burner Ratings (MJ/hr):	Natural Gas	Propane Gas	Ignition Type
Griddle 300mm (MJ/hr):	16.5	16.5	Piezo
Oven (MJ/hr):	36	33	Piezo

Gas Connection: 3/4" Female

AGA approval number: AGA 6652 G

**SHIPPING DATA**

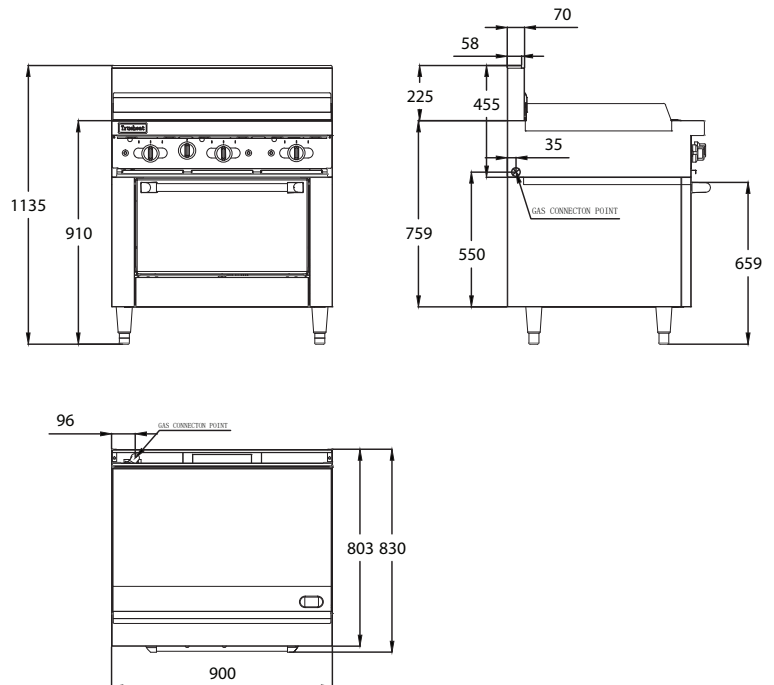
Shipping Weight: 248kg

Shipping Dimensions: 980W x 900D x 1210H mm

**OPTIONAL ACCESSORIES**

Part Number:	Description:
GF-CSTRB	Front Castor Swivel with brake suits RCR models only
GF-CSTR	Rear Castor without brake suits RCR models only
432018-900HK	900mm 3/4 flexible gas hose with quick connect fittings and restraint
432018-1200HK	1200mm 3/4 flexible gas hose with quick connect fittings and restraint

SPECIFICATIONS ARE SUBJECT TO CHANGE WITHOUT NOTICE.



\*manufactured in China