

# BASIN

Hand Wash Basin



Stoddart Manufacturing designed and introduced the easy mount single piece bracket on the Hand Wash Basin to make Stoddart the first choice for strength and easy installation.

Stoddart Manufacturing used a large, deep drawn, recessed bowl to reduce splashing and spillage. The bowl has a sizeable front fascia to provide better aesthetics and rigidity.



### Models:

#### SPPL.WB.H1.300.xx

Code explanation:

- SPPL = Standard Product Plumbing
- WB = Wash Basin
- H1 = Hand Wash Basin
- 300 = 300mm splashback
- xx = SS – Stainless steel mounting bracket  
= TV – Tempering valve  
= TMV – Thermostatic Mixing Valve  
= GT – Galvin Easy Push (all optional)

e.g.: for specification and ordering

SPPL.WB.H1.300

### Features and Benefits:

- Large and deep bowl with recessed inner bowl provides extra capacity and minimises splashing.
- Sturdy stainless steel construction for life-long service in public amenities and schools.
- Suitable for use where disabled access is required.
- Easy mount single piece bracket has multiple fixing holes for quick installation by plumber.
- Bracket is galvanised steel standard. Stainless option can be ordered for kitchens.
- Optional Galvin easy-push, timed flow button (GE-CP # 368969) can be ordered with unit.
- Approved design for use in government schools.
- Complies with AS 1428.1-2001 for disabled access.



Suitable for use where disabled access is required



Due to product research and development, the information contained herein is subject to change without notification

Data Sheet Revision Date 08/10/2014

### Manufactured by:

Tom Stoddart Pty Ltd. ABN 16 009690251  
39 Forest Way, Karawatha 4117, Queensland Australia

**4-01**

Tel +61 7 3440 7800, Fax +61 7 3344 1000  
Web site: [www.stoddartplumbing.com.au](http://www.stoddartplumbing.com.au)  
Email: [plumbing@stoddart.com.au](mailto:plumbing@stoddart.com.au)

**Specifications:**

- Construction: Deep Drawn S/S Basin.  
 2mm 409 S/S Brackets.
- Waste Connection: 40mm, supplied. Plastic plug supplied.
- Unit Fixing: Unit is supplied with wall mounting bracket with 10mm fixing holes.
- Disabled Fixing Height: The unit can be mounted at 800-830mm above finished floor level for disabled use.

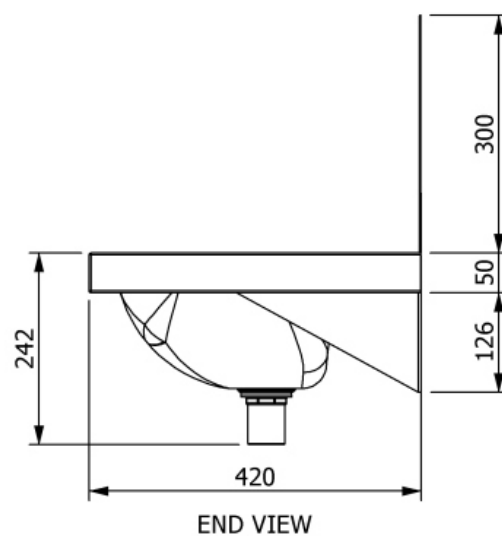
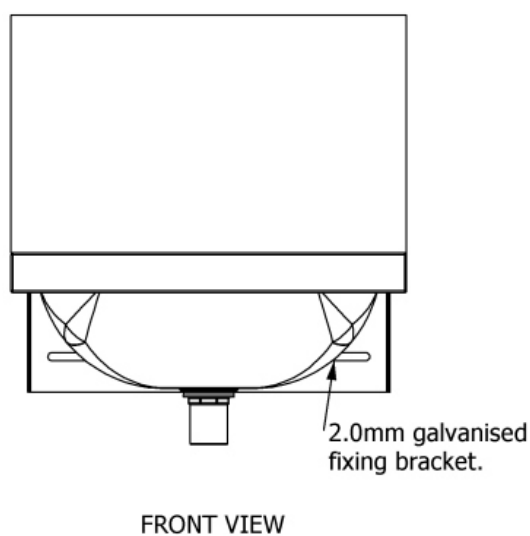
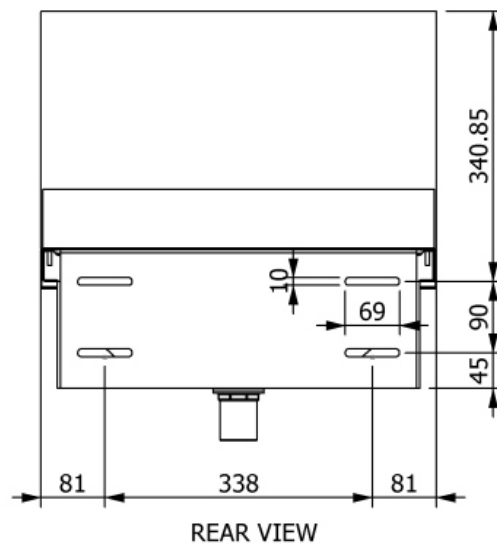
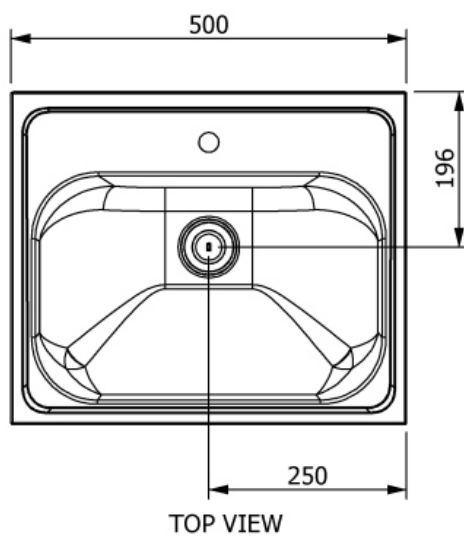
**Models:**
**SPPL.WB.H1.300.xx**

## Code explanation:

- SPPL = Standard Product Plumbing  
 WB = Wash Basin  
 H1 = Hand Wash Basin  
 300 = 300mm splashback  
 xx = SS – Stainless steel mounting bracket  
 = TV – Tempering valve  
 = TMV – Thermostatic Mixing Valve  
 = GT – Galvin Easy Push (all optional)

e.g.: for specification and ordering

SPPL.WB.H1.300



Model No.	Length (mm)	Width (mm)	Height (mm)
SPPL.WB.H1.300.xx	500	420	476