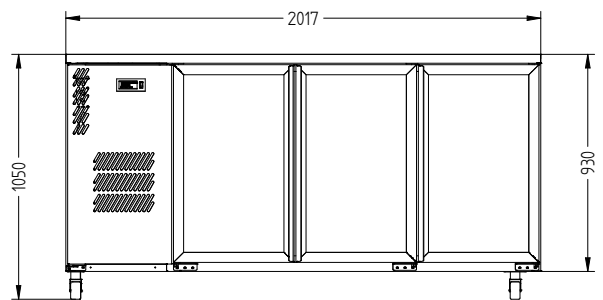
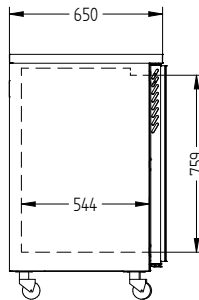
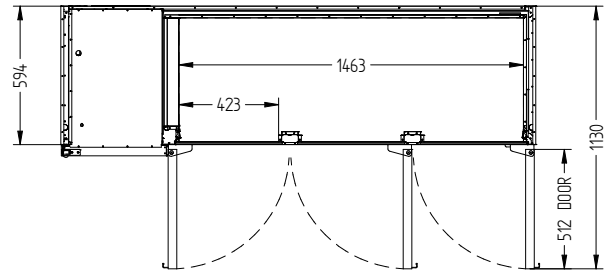


# HC3U



CATEGORY	GENERAL COUNTERS & BACK BARS
RANGE	<b>CAMEO</b>
UNIT	REFRIGERATOR
TYPE	SELF CONTAINED
DOORS	3



## SPECIFICATIONS

CAPACITY LITRES	640
TEMPERATURE	1°C / 4°C
FRONT BREATHING	YES
DIMENSIONS - W X D X H (ON CASTORS) MM	2017 W x 650 D x 1050 H
WEIGHT UNPACKED (KG)	200

## STANDARD INCLUSIONS \*\*\*

DOOR TYPE	Standard: G (Glass Door)    Optional: S (Solid Door)
FINISH	B (Black with stainless steel countertop and internal floor) or S (Stainless Steel) interior and exterior excluding rear and under
SHELVES/DOOR	2

## ELECTRICAL

POWER SUPPLY	10 amp	
FRIDGE MODELS	RUNNING AMPS	4.6

## GAS TYPE

REFRIGERANT	FRIDGE MODELS	R134a
-------------	---------------	-------

\*\*\* For **OPTIONS** refer to the current Williams Price Guide