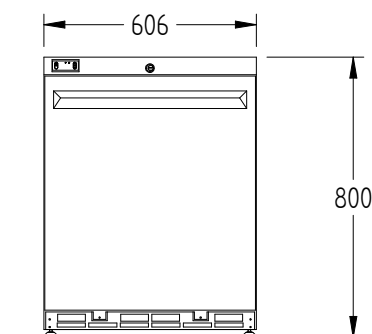
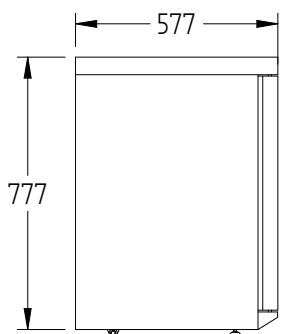
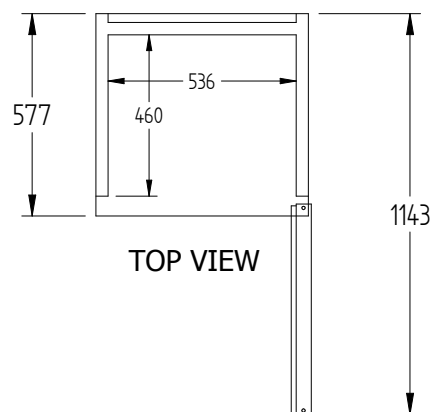


# LA135LP



CATEGORY	FOODSERVICE SPECIALISED
RANGE	<b>Amber</b>
UNIT	FREEZER
TYPE	SELF CONTAINED
DOORS	1



## SPECIFICATIONS

CAPACITY LITRES	133
TEMPERATURE	-18°C / -22°C
DIMENSIONS - W X D X H (ON CASTORS) MM	606 W x 577 D x 800 H
WEIGHT UNPACKED (KG)	55

## STANDARD INCLUSIONS \*\*\*

DOOR TYPE	Standard: <b>SD</b> (Solid Door)
FINISH (INTERIOR AND EXTERIOR EXCLUDING REAR AND UNDER)	<b>SS</b> (Stainless Steel)
SHELVES	2 Fixed

## ELECTRICAL

POWER SUPPLY	10 amp	
FREEZER MODELS	RUNNING AMPS	1.2

## GAS TYPE

REFRIGERANT	FREEZER MODELS	R404a
-------------	----------------	-------

\*\*\* For **OPTIONS** refer to the current Williams Price Guide