



Electrolux

Modular Cooking Range Line 900XP One Well Gas Fryer 15 liter

ITEM # _____

MODEL # _____

NAME # _____

SIS # _____

AIA # _____



Electrolux



Modular Cooking Range Line
900XP One Well Gas Fryer 15 liter

391077 (E9FRGD1GF0) 15-lt gas fryer with 1 "V" shaped well (external burners) and 1 basket

Short Form Specification

Item No. _____

High efficiency 14 kW burners in stainless steel. Suitable for natural gas or LPG. Deep drawn V-shaped well. Oil drains through a tap into a container under the well. Height adjustable feet in stainless steel. Exterior panels in stainless steel. Worktop in 20/10, stainless steel. Right-angled side edges eliminate gaps and possible dirt traps between units.

Main Features

- Deep drawn V-Shaped well.
- High efficiency 14 kW burners in stainless steel with flame failure device attached to the outside of the well.
- Thermostatic regulation of oil temperature up to a maximum of 190 °C.
- Flame failure device on each burner.
- Overheat protection thermostat as standard on all units.
- Oil drains through a tap into a drainage container positioned under the well.
- All major compartments located in front of unit for ease of maintenance.
- Piezo spark ignition for added safety.
- IPX5 water resistance certification.
- The special design of the control knob system guarantees against water infiltration.
- Unit delivered with four 50 mm legs in stainless steel as standard (all round Stainless steel kick plates as option).
- Supplied as standard with 1 basket and 1 right side door for cupboard.

Construction

- Unit is 930 mm deep to give a larger working surface area.
- All exterior panels in Stainless Steel with Scotch Brite finishing.
- Model has right-angled side edges to allow flush fitting joints between units, eliminating gaps and possible dirt traps.
- Interior of well with rounded corners for ease of cleaning.

Included Accessories

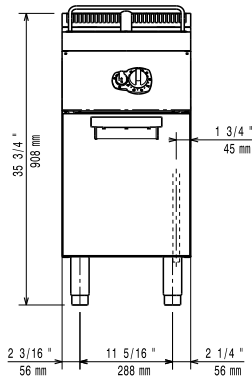
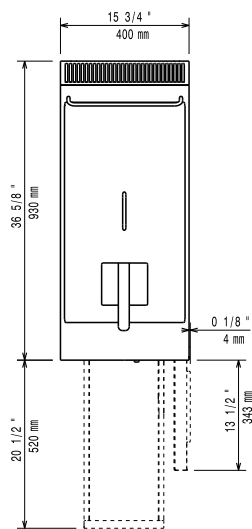
- 1 of Door for open base cupboard PNC 206350
- 1 of Full size basket for 14 and 15lt free standing fryers PNC 921691

Optional Accessories

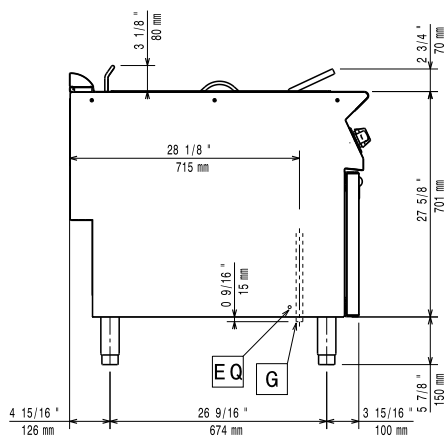
- Junction sealing kit PNC 206086
- Draught diverter, 120 mm diameter PNC 206126
- Matching ring for flue condenser, 120 mm diameter PNC 206127
- Kit 4 wheels - 2 swivelling with brake - it is mandatory to install base support and wheels PNC 206135
- Flanged feet kit PNC 206136
- Frontal kicking strip for concrete installation, 400mm PNC 206147
- Frontal kicking strip for concrete installation, 800mm PNC 206148

APPROVAL: _____

- Frontal kicking strip for concrete installation, 1000mm PNC 206150
 - Frontal kicking strip for concrete installation, 1200mm PNC 206151
 - Frontal kicking strip for concrete installation, 1600mm PNC 206152
 - Pair of side kicking strips for concrete installation PNC 206157
 - Frontal kicking strip, 400mm (not for refr-freezer base) PNC 206175
 - Frontal kicking strip, 800mm (not for refr-freezer base) PNC 206176
 - Frontal kicking strip, 1000mm (not for refr-freezer base) PNC 206177
 - Frontal kicking strip, 1200mm (not for refr-freezer base) PNC 206178
 - Frontal kicking strip, 1600mm (not for refr-freezer base) PNC 206179
 - Pair of side kicking strips (not for refr-freezer base) PNC 206180
 - 2 panels for service duct for single installation PNC 206181
 - 2 panels for service duct for back to back installation PNC 206202
 - Kit 4 feet for concrete installation (not for 900 line free standing grill) PNC 206210
 - Sediment tray for 15lt fryers PNC 206235
 - Water column with swivel arm (water column extension not included) PNC 206289
 - Chimney upstand, 400mm PNC 206303
 - Flue condenser for 1/2 module, 120 mm diameter PNC 206310
 - Door for open base cupboard PNC 206350
 - Base support for feet or wheels - 400mm (700/900) PNC 206366
 - Chimney grid net, 400mm (700XP/900) PNC 206400
 - Side handrail-right/left hand (900XP) PNC 216044
 - Frontal handrail, 400mm PNC 216046
 - Frontal handrail, 800mm PNC 216047
 - Frontal handrail, 1200mm PNC 216049
 - Frontal handrail, 1600mm PNC 216050
 - 2 side covering panels for free standing appliances PNC 216134
 - Large handrail - portioning shelf, 400mm PNC 216185
 - Large handrail - portioning shelf, 800mm PNC 216186
 - Full size basket for 14 and 15lt free standing fryers PNC 921691
 - 2 half size baskets for 12, 14 and 15lt fryers PNC 921692
 - Filter for fryer oil collection basin for 7lt, 14lt, 15lt free standing fryers PNC 921693
 - Unclogging rod for 15lt fryers drainage pipe PNC 921695
 - Deflector for floured products for 15lt fryers PNC 921696
- Pressure regulator for gas units PNC 927225

Front

Top


EQ = Equipotential screw
G = Gas connection

Side

Gas

Gas Power:		
391077 (E9FRGD1GF0)		47726 Btu/hr (14 kW)
Gas Type Option:		LPG
Gas Inlet:		1/2"
Natural gas - Pressure:		7" w.c. (17.4 mbar)
LPG Gas Pressure:		11" w.c. (27.7 mbar)

Key Information:

Usable well dimensions (width):	240 mm
Usable well dimensions (height):	505 mm
Usable well dimensions (depth):	380 mm
Well capacity:	13 lt MIN; 15 lt MAX
Thermostat Range:	120 °C MIN; 190 °C MAX
Net weight:	50 kg
Shipping weight:	70 kg
Shipping height:	1080 mm
Shipping width:	460 mm
Shipping depth:	1020 mm
Shipping volume:	0.51 m ³

If appliance is set up or next to or against temperature sensitive furniture or similar, a safety gap of approximately 150 mm should be maintained or some form of heat insulation fitted.