



Electrolux

Modular Cooking Range Line 700XP Half Module Gas Fry Top, Mild Steel

ITEM # _____

MODEL # _____

NAME # _____

SIS # _____

AIA # _____



Modular Cooking Range Line
700XP Half Module Gas Fry Top, Mild Steel

- | | |
|----------------------------|--|
| 371029 (E7FTGDSS00) | Half module gas fry top with smooth mild steel plate |
| 371030 (E7FTGDSR00) | Half module gas fry top with ribbed mild steel plate |

Short Form Specification

Item No. _____

To be installed on open base installations or bridging supports. Smooth cooking surface in mild steel. Suitable to be used with Natural or LPG gas. Temperature range from 200°C to 400°C. Removable drawer below the cooking surface for the collection of grease and fat. Exterior panels in stainless steel with Scotch Brite finish. One piece pressed work top in 1.5 mm thick stainless steel. Right-angled side edges to allow flush-fitting junction between units.

Main Features

- Unit to be mounted on open base cupboards, bridging supports or cantilever systems.
- Large drain hole on cooking surface permits the draining of fat into large 1 liter collector placed under the cooking surface.
- Large grease collection container available as optional accessory to be installed under top units over open base cupboard.
- Stainless steel high splash guard on the rear and sides of cooking surface. Splash guard can be easily removed for cleaning.
- Piezo spark ignition for added safety.
- Temperature range of griddle from 200 °C to 400 °C.
- Gas appliance supplied for use with natural or LPG gas, conversion jets supplied as standard.
- IPX 4 water protection.

Construction

- Cooking surface in mild steel for optimum grilling results.
- Cooking surface to be completely smooth or completely ribbed.
- All exterior panels in Stainless Steel with Scotch Brite finishing.
- One piece pressed 1.5 mm work top in Stainless steel.
- Model has right-angled side edges to allow flush fitting joints between units, eliminating gaps and possible dirt traps.

Optional Accessories

- Scraper for smooth plate fry tops PNC (only for 371029) 164255
- Draught diverter, 120 mm diameter PNC 206126
- Matching ring for flue condenser, 120 mm diameter PNC 206127
- Kit 4 wheels - 2 swivelling with brake - it is mandatory to install base support and wheels PNC 206135
- Support for bridge type installation, 800mm PNC 206137
- Support for bridge type installation, 1000mm PNC 206138
- Support for bridge type installation, 1200mm PNC 206139
- Support for bridge type installation, 1400mm PNC 206140
- Support for bridge type installation, 1600mm PNC 206141
- Support for bridge type installation, 400mm PNC 206154

APPROVAL: _____



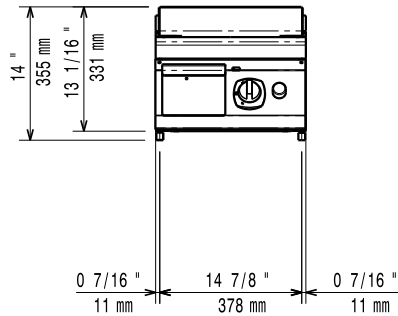
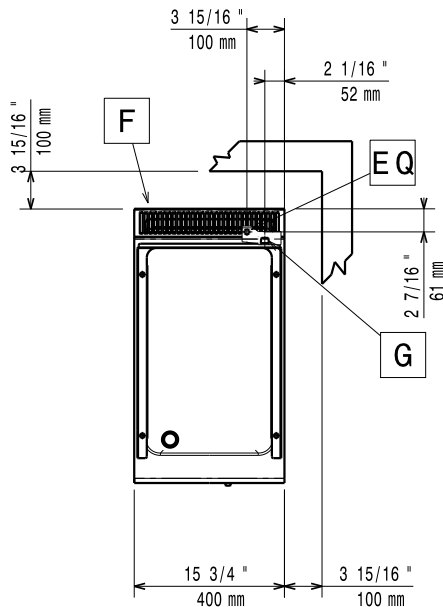
Electrolux

Modular Cooking Range Line
700XP Half Module Gas Fry Top, Mild Steel

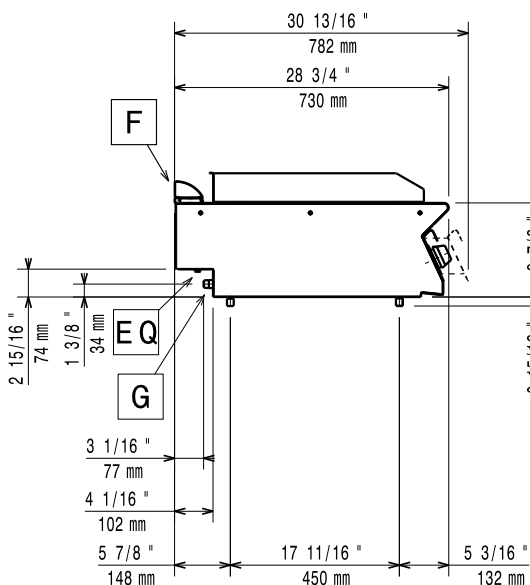


- Water column with swivel arm (water column extension not included) PNC 206289
- Water column extension for 700 line PNC 206291
- Chimney upstand, 400mm PNC 206303
- Right and left side handrails PNC 206307
- Flue condenser for 1/2 module, 120 mm diameter PNC 206310
- Grease/oil kit container for 700 line frytops (half and module) and 900 line frytops (module) PNC 206346
- Base support for feet or wheels - 400mm (700/900) PNC 206366
- Base support for feet or wheels - 800mm (700/900) PNC 206367
- Rear paneling - 600mm (700/900XP) PNC 206373
- Rear paneling - 800mm (700/900) PNC 206374
- Rear paneling - 1000mm (700/900) PNC 206375
- Rear paneling - 1200mm (700/900) PNC 206376
- Chimney grid net, 400mm (700XP/900) PNC 206400
- Scraper for ribbed plate fry tops - kit includes knife blades for both smooth and ribbed surface (only for 371030) PNC 206420
- Frontal handrail, 400mm PNC 216046
- Frontal handrail, 800mm PNC 216047
- Frontal handrail, 1200mm PNC 216049
- Frontal handrail, 1600mm PNC 216050
- Large handrail - portioning shelf, 400mm PNC 216185
- Large handrail - portioning shelf, 800mm PNC 216186
- 2 side covering panels for top appliances PNC 216277
- Pressure regulator for gas units PNC 927225



Front

Top


EQ = Equipotential screw
G = Gas connection

Side


Gas

Gas Power:

371029 (E7FTGDSS00)	23863 Btu/hr (7 kW)
371030 (E7FTGDSR00)	23863 Btu/hr (7 kW)

Gas Type Option:

LPG

Gas Inlet:

1/2"

Natural gas - Pressure:

371029 (E7FTGDSS00)	7" w.c. (17.4 mbar)
---------------------	---------------------

LPG Gas Pressure:

371029 (E7FTGDSS00)	11" w.c. (27.7 mbar)
---------------------	----------------------

Key Information:

Cooking surface width:	330 mm
Cooking surface depth:	540 mm
Working Temperature MIN:	200 °C
Working Temperature MAX:	400 °C
Net weight:	40 kg
Shipping weight:	47 kg
Shipping height:	540 mm
Shipping width:	460 mm
Shipping depth:	820 mm
Shipping volume:	0.2 m ³

If appliance is set up or next to or against temperature sensitive furniture or similar, a safety gap of approximately 150 mm should be maintained or some form of heat insulation fitted.