



Electrolux

Modular Cooking Compact Line Smooth Gas Griddle Top 12"

ITEM # _____

MODEL # _____

NAME # _____

SIS # _____

AIA # _____



Electrolux



Modular Cooking Compact Line

Smooth Gas Griddle Top 12"

169050 (ARG12FLCE)

SMOOTH GAS GRIDDLE
TOP 12" (305 mm)

Short Form Specification

Item No. _____

Unit to be Electrolux Smooth Gas Griddle Top with single high efficiency 26,000 BTU (7,6 kW) burner. Suitable for natural gas or propane gas. Thick 1" (25 mm) mild steel smooth griddle plate maintains selected temperatures and assures quick recovery. 3,2" (81,5 mm) wide drainage channel running on full length of cooking surface. Large grease drainage hole diameter 2,4" (60mm). Single 1 pt. (0,5 l) grease collector drawer captures all excess grease and oil and can be easily extracted for easy dumping and cleaning. Worktop in AISI 304 Stainless Steel, 2mm thick. 3mm stainless steel splashback. Front and side panels in Stainless Steel with Scotch Brite finish. Special heavy duty chrome plated knob for durability and easy cleaning. All major components can be accessed from front of the appliance for ease of maintenance. The configuration of bezel and knob provides high level of protection against water infiltrations. Right-angled side edges to allow flush fitting joints between units. Supplied with 4" (102mm) height adjustable, removable legs. Unit may be installed on refrigerated base or open cupboard.

Main Features

- Single high efficiency 26,000 BTU (7,6 kW) burner.
- Thick 1" (25 mm) mild steel smooth griddle plate maintains selected temperatures and assures quick recovery.
- Suitable for natural gas or propane gas.
- Flame failure device to protect against accidental extinguishing of the flame.
- 3,2" (81,5 mm) wide drainage channel running on full length of cooking surface.
- Large grease drainage hole diameter 2,4" (60mm).
- Single 1 pt. (0,5 l) grease collector drawer captures all excess grease and oil and can be extracted for easy dumping and cleaning.
- Worktop in 304 AISI stainless steel, 2mm thick.
- 3mm stainless steel splashback.
- Front and side panels in Stainless Steel with Scotch Brite finish.
- All major compartments located in front of unit for ease of maintenance.
- Special heavy duty chrome plated knob for durability and easy cleaning.
- The configuration of bezels and knobs provides high level of protection against water infiltrations.
- Right-angled side edges to allow flush fitting joints between units, eliminating gaps and possible dirt traps.
- Provided with kit for side-by-side connection between units for minimizing gaps and possible dirt traps.
- Supplied with 102 mm height adjustable, removable legs.
- Unit may be installed on refrigerated base by removing the legs and inserting the special pins (optional accessory model # 169048).
- Unit may be installed on open cupboard by removing the legs and inserting the screws provided as standard with the open cupboards.
- Included Accessories: propane converter kit, pressure regulator and main shut off valve.

Optional Accessories

- Scraper for smooth plate fry tops PNC 164255
- 4 pins kit to fix top equipment on refrigerated or open bases PNC 169048

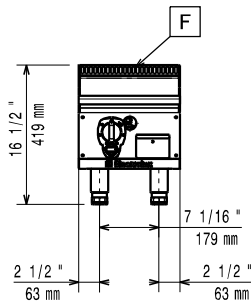
APPROVAL: _____



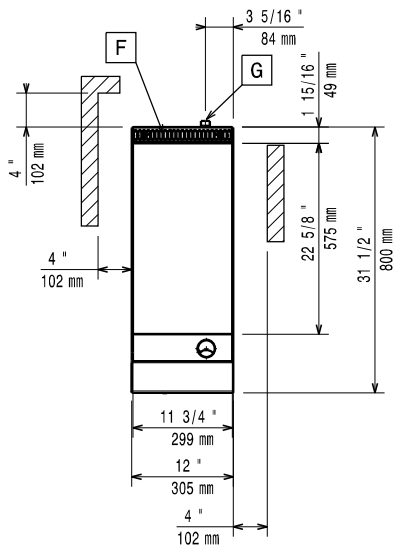
Electrolux

Modular Cooking Compact Line Smooth Gas Griddle Top 12"

Front

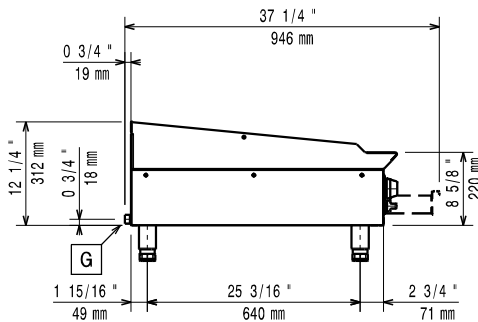


Top



G = Gas connection

Side



Gas

Gas Power:

169050(ARG12FLCE) 26000 Btu/hr (7.6 kW)

Gas Inlet: 3/4" NPT

Natural gas - Pressure: 3" w.c. (7 mbar)

Propane Gas Pressure: 7" w.c. (17.4 mbar)

Key Information:

Cooking Surface Width: 11 3/4" (299 mm)

Cooking Surface Depth: 22 5/8" (575 mm)

Working Temperature MIN: 194 °F (90 °C)

Working Temperature MAX: 500 °F (260 °C)

External dimensions, Width: 12 1/64" (305 mm)

External dimensions, Depth: 31 1/2" (800 mm)

External dimensions, Height: 16 1/2" (419 mm)

Net weight: 82 lbs (37 kg)

Shipping width: 35 7/16" (900 mm)

Shipping depth: 14" (355 mm)

Shipping height: 25 1/2" (648 mm)

Shipping weight: 93 lbs (42 kg)

Shipping volume: 7.31 ft³ (0.21 m³)

*The rear and side clearances shown on the diagram indicate the minimum distances recommended from the appliance to combustible surfaces.

Modular Cooking Compact Line
Smooth Gas Griddle Top 12"

The company reserves the right to make modifications to the products without prior notice. All information correct at time of printing.

2012.11.12

